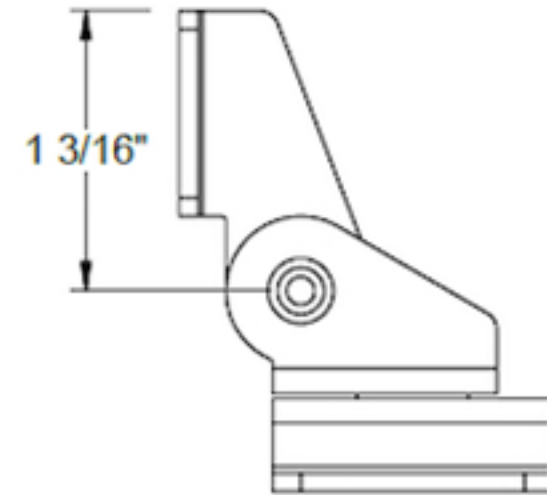
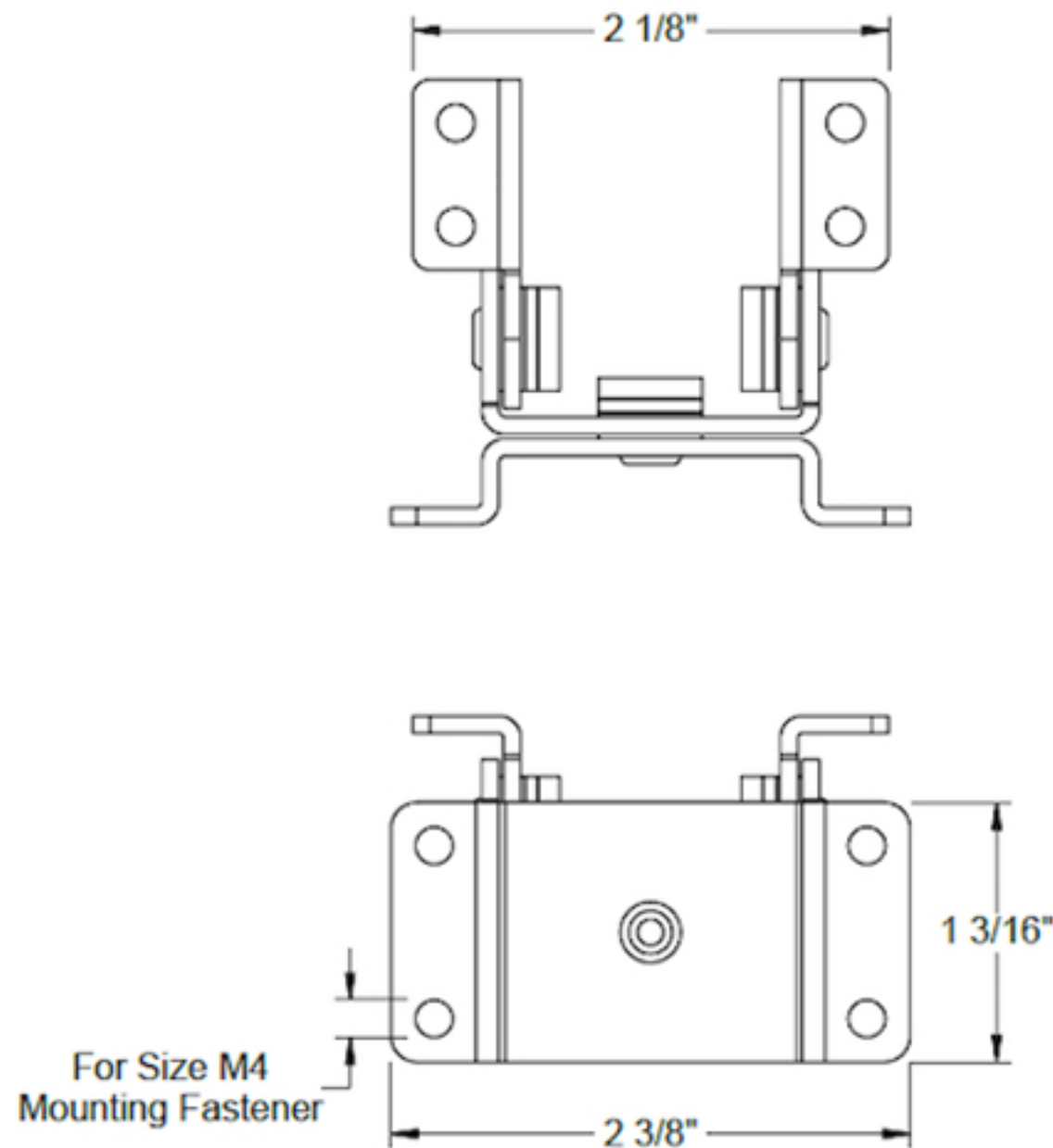


# TECHNICAL DRAWING



**Tower Industry**  
YOUR MANUFACTURING BASE IN CHINA

Sales@tower-machinery.com  
www.tower-machinery.com

TW-T70S30

Torsion Hinge

DIMENSIONS:  $2\text{-}\frac{3}{8}'' \times 1\text{-}\frac{3}{16}''$

MATERIAL: Stainless Steel

FINISH: No