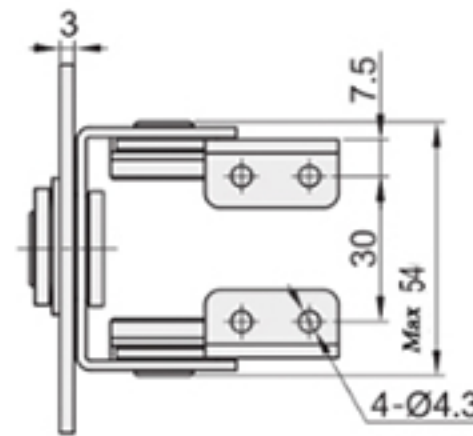
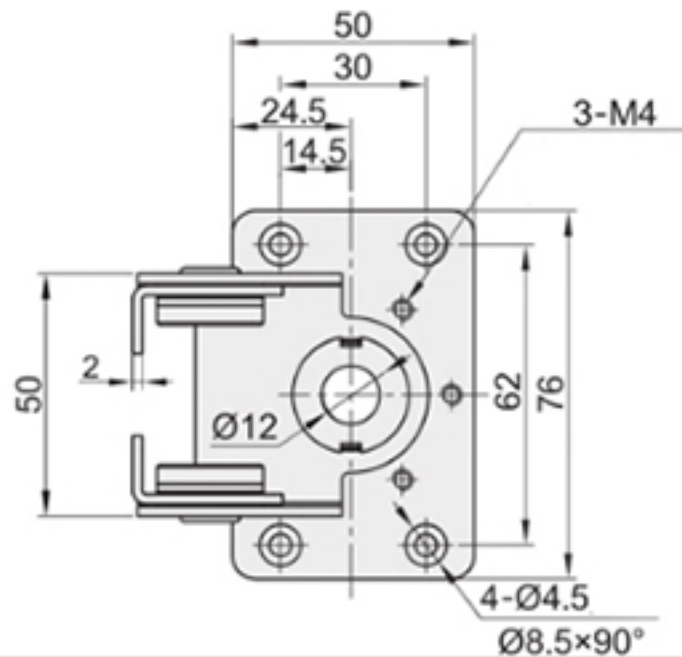
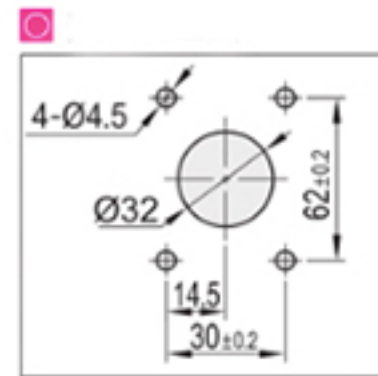
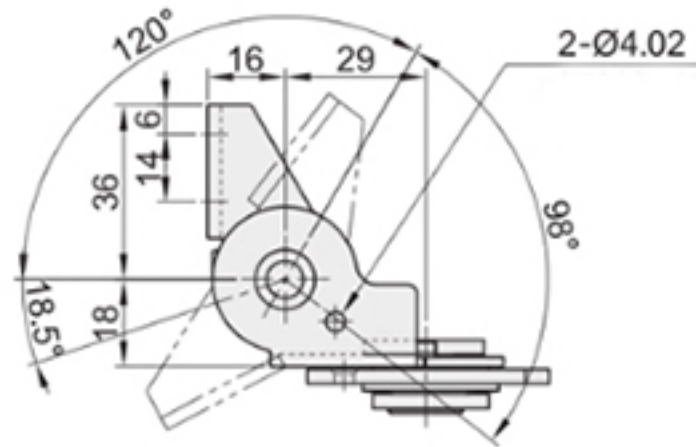


TECHNICAL DRAWING



Torque in tilt direction **7.0N·m**
Torque in rotation direction **3.0N·m**



Tower Industry
YOUR MANUFACTURING BASE IN CHINA

Sales@tower-machinery.com
www.tower-machinery.com

TW-T30H15

Torsion Hinge

DIMENSIONS: 76 x 50mm

MATERIAL: Stainless Steel

FINISH: No