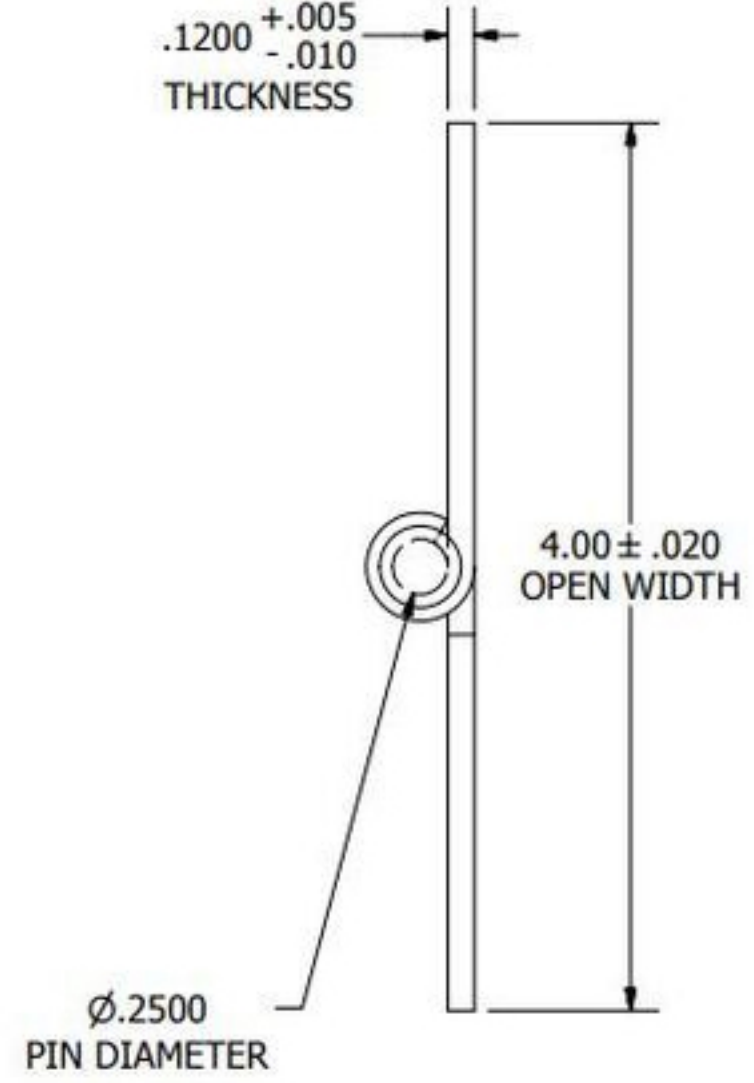
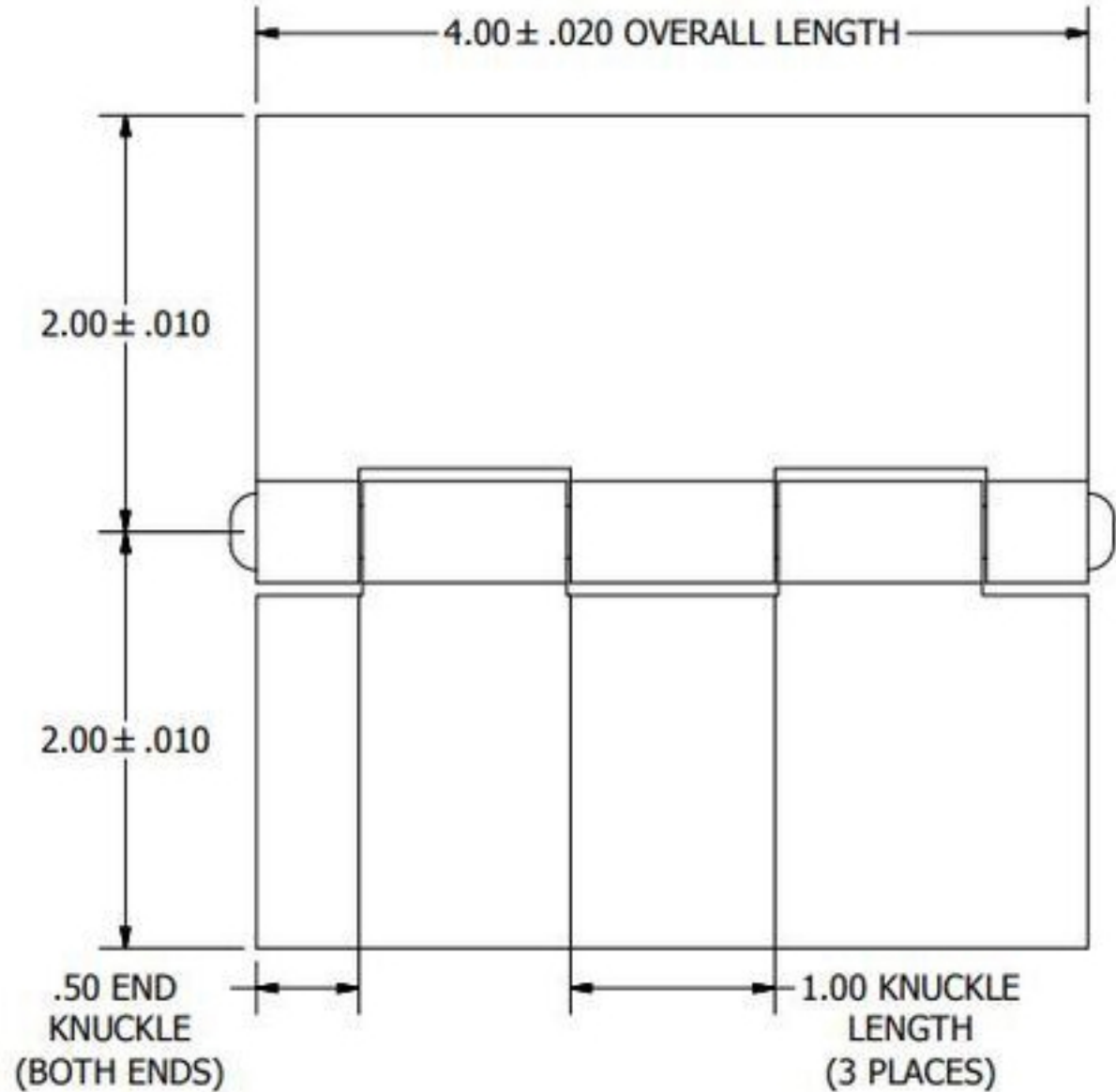


# TECHNICAL DRAWING



**Tower Industry**  
YOUR MANUFACTURING BASE IN CHINA

Sales@tower-machinery.com  
www.tower-machinery.com

TW-BH4040  
Butt Hinge

DIMENSIONS: 4" x 4"  
MATERIAL: Steel  
FINISH: No