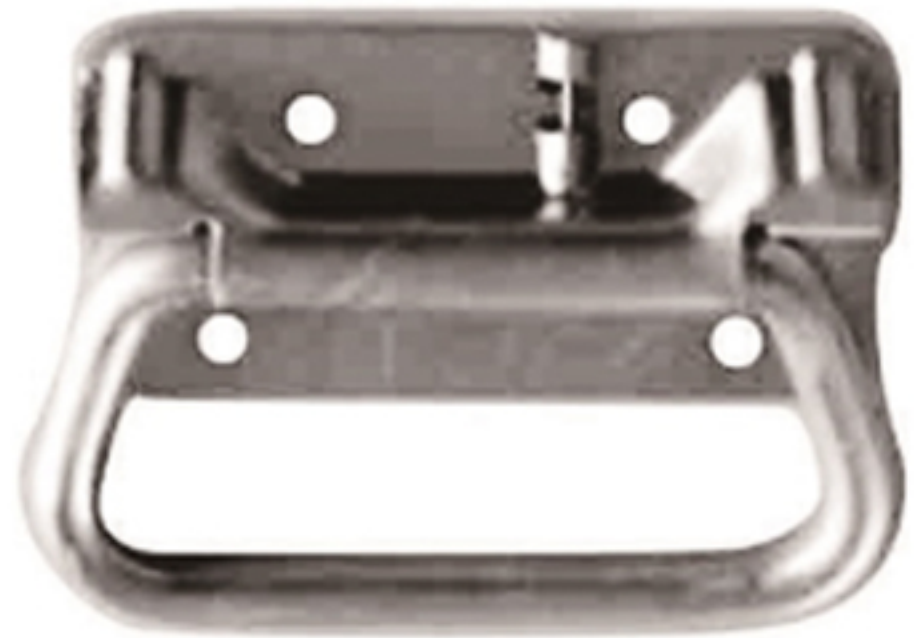
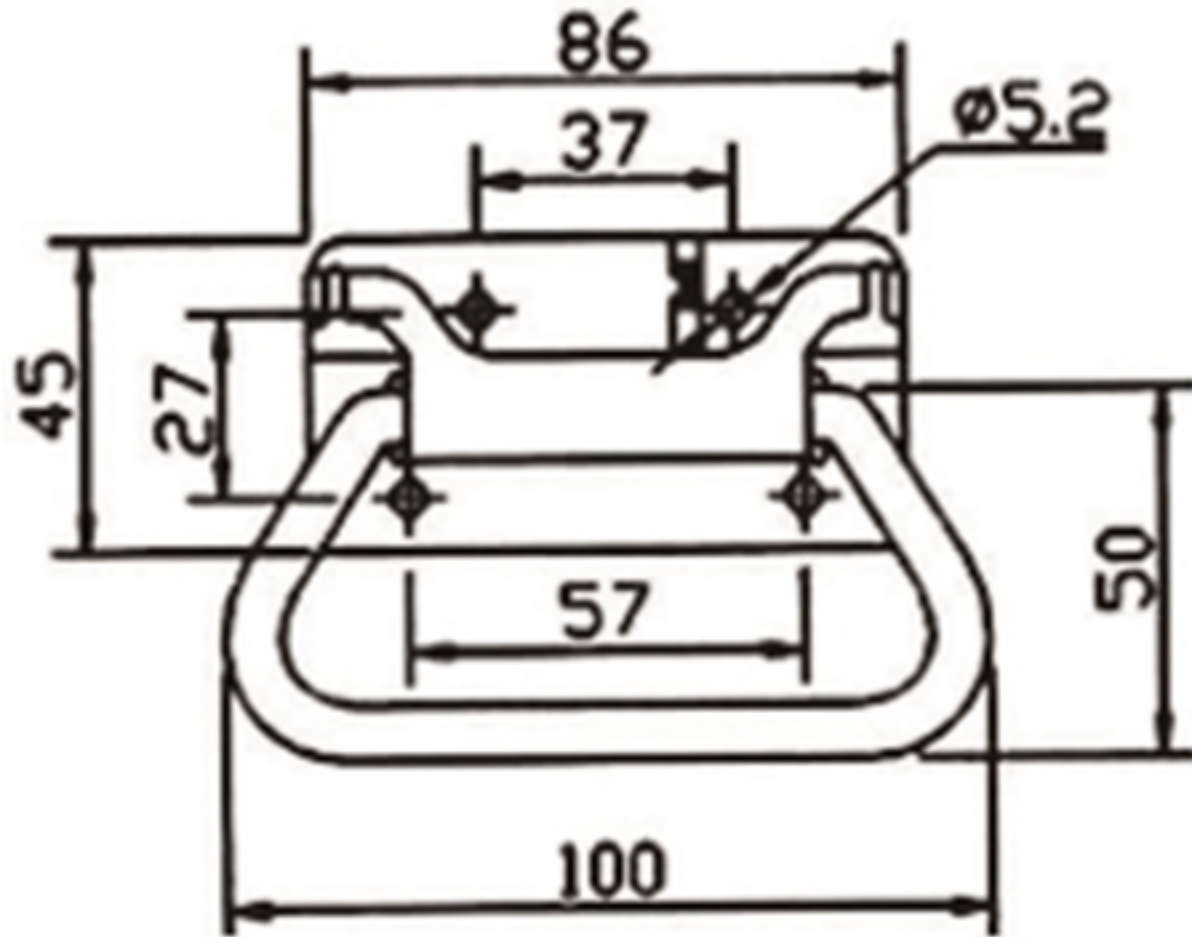


TECHNICAL DRAWING



Tower Industry
YOUR MANUFACTURING BASE IN CHINA

Sales@tower-machinery.com
www.tower-machinery.com

TW-LCHS01

Chest Handle

DIMENSIONS:

MATERIAL: Steel

FINISH: Zinc