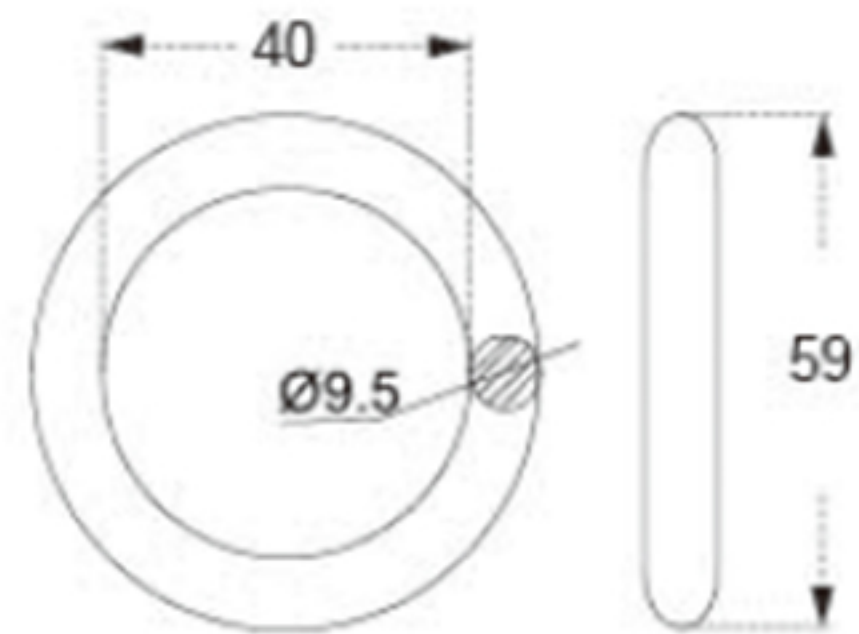


TECHNICAL DRAWING



Tower Industry
YOUR MANUFACTURING BASE IN CHINA

Sales@tower-machinery.com
www.tower-machinery.com

TWOR01
Ring

SIZE: 1.5"
BS: 2000KG/4400LBS