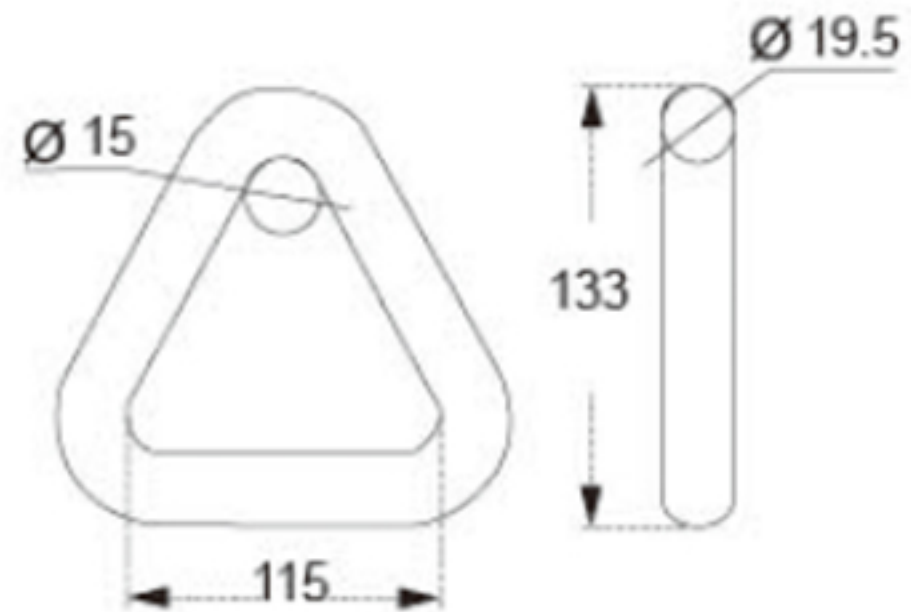


TECHNICAL DRAWING



Tower Industry
YOUR MANUFACTURING BASE IN CHINA

Sales@tower-machinery.com
www.tower-machinery.com

TWDR18
Ring

SIZE: 3"

BS: 10000KG/22000LBS