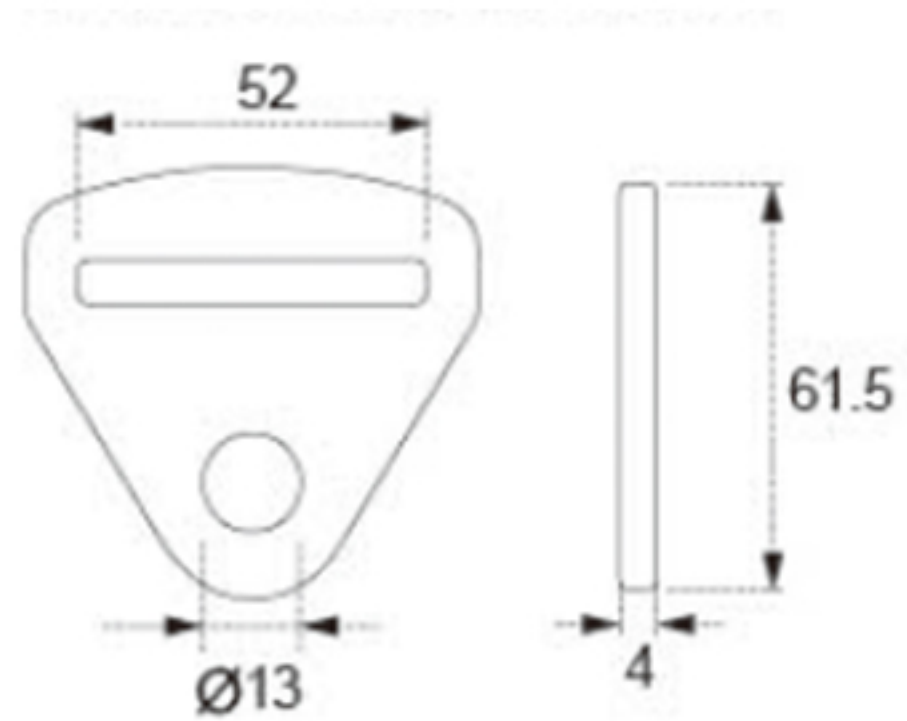


# TECHNICAL DRAWING



**Tower Industry**  
YOUR MANUFACTURING BASE IN CHINA

Sales@tower-machinery.com  
www.tower-machinery.com

TWHB10  
Bolt Plate

SIZE: 2"

BS: 2000KG/4400LBS