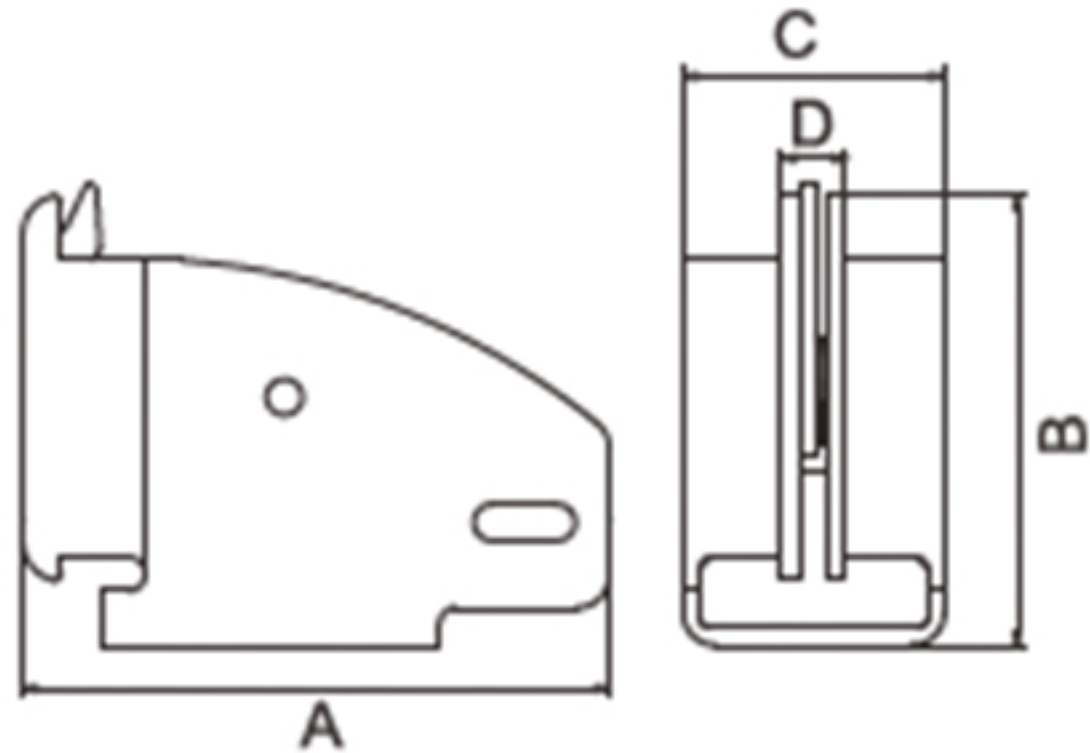
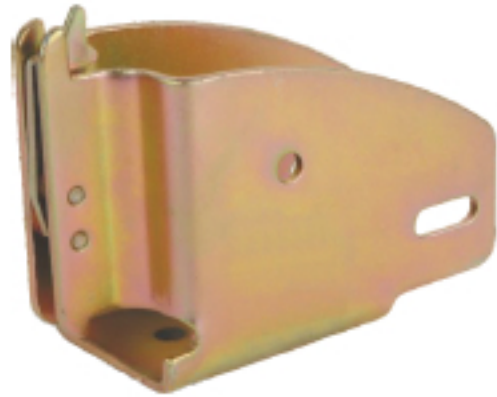


TECHNICAL DRAWING



Item No.	B/S lbs	A mm	B mm	C mm	D mm	Q'ty pcs/ctn	G.W kgs	N.W kgs
TWWB-1	1400	110	84.4	48.9	12	40	19	18
TWWB-2	1400	110	84.4	48.9	12	40	18.5	17.5
TWWB-3	1400	110	84.4	96.5	12	40	24	23

Tower Industry
YOUR MANUFACTURING BASE IN CHINA

Wood Beam Socket

Sales@tower-machinery.com
www.tower-machinery.com