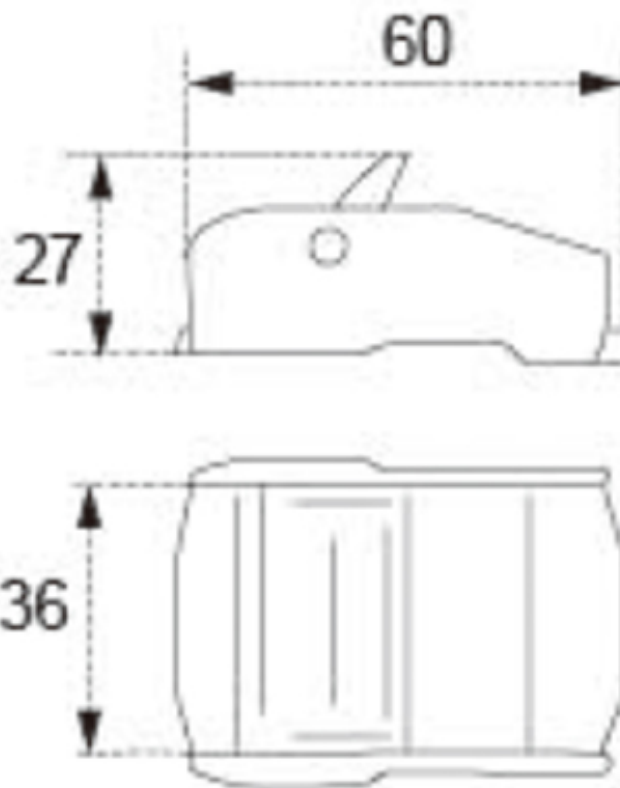


TECHNICAL DRAWING



Tower Industry

YOUR MANUFACTURING BASE IN CHINA

Sales@tower-machinery.com

www.tower-machinery.com

TWCB16-1

Cam Buckle

Size: 1-1/2"

BS: 600 KG/1320 LBS

N/W: 120G