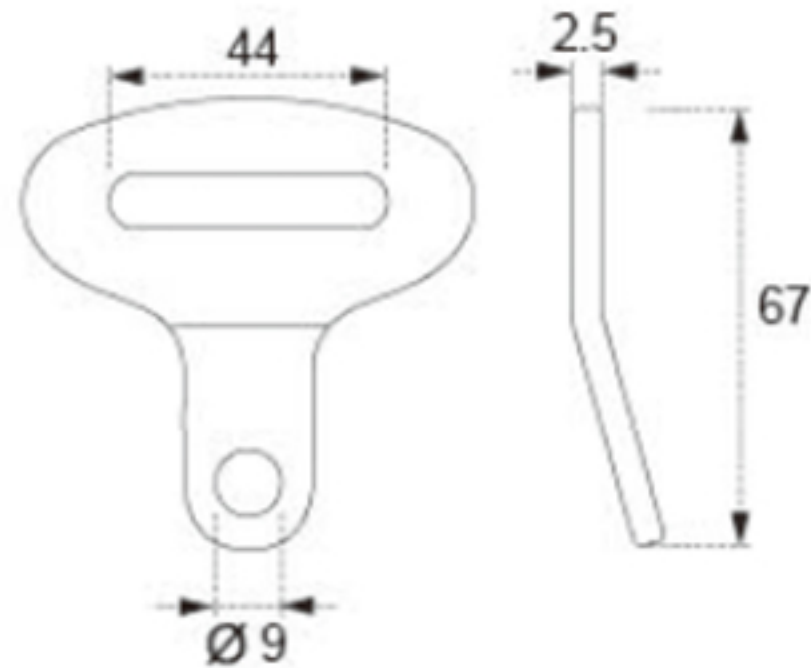


TECHNICAL DRAWING



Tower Industry
YOUR MANUFACTURING BASE IN CHINA

Sales@tower-machinery.com
www.tower-machinery.com

TWHB08
Bolt Plate

SIZE: 1-3/4"

BS: 2000KG/4400LBS