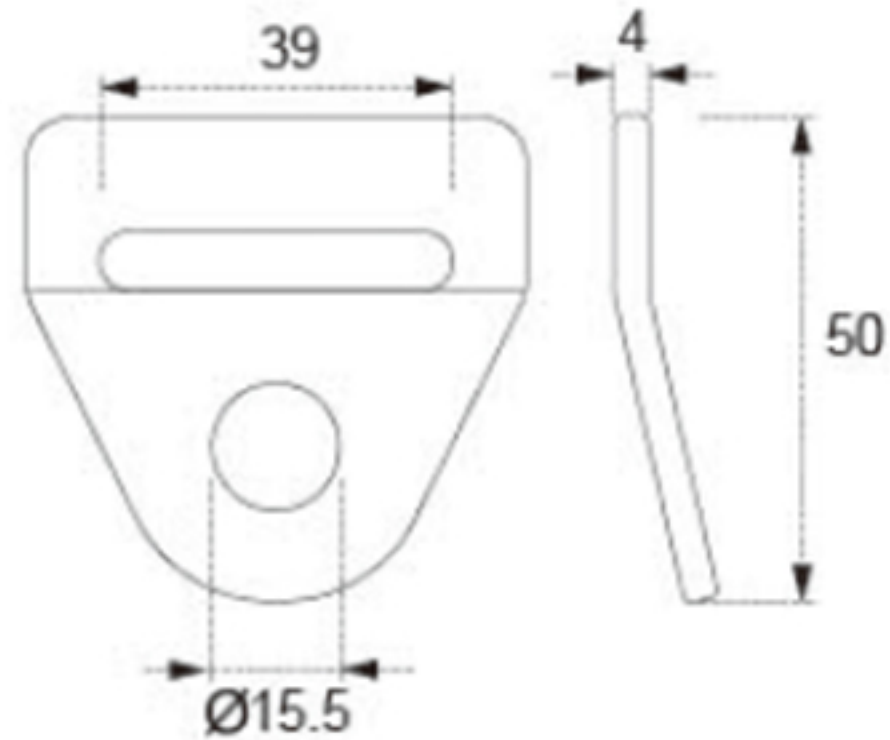


TECHNICAL DRAWING



Tower Industry
YOUR MANUFACTURING BASE IN CHINA

Sales@tower-machinery.com
www.tower-machinery.com

TWHB07
Bolt Plate

SIZE: 1.5"

BS: 2000KG/4400LBS