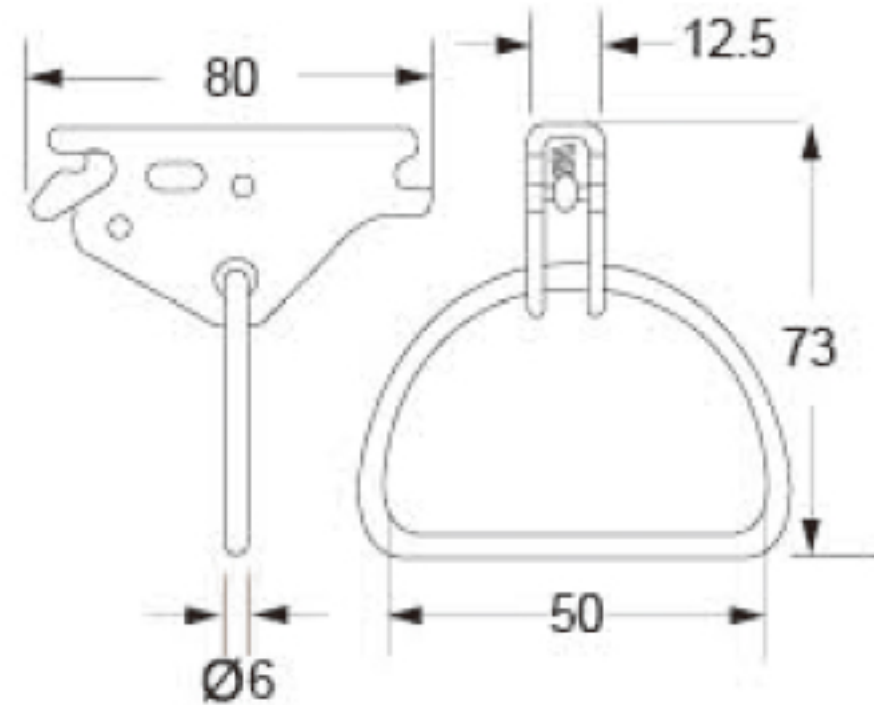


TECHNICAL DRAWING



Tower Industry
YOUR MANUFACTURING BASE IN CHINA

Sales@tower-machinery.com
www.tower-machinery.com

TWEH06
E Tracking Fitting

SIZE: 2"
BS: 1864KG/4100LBS