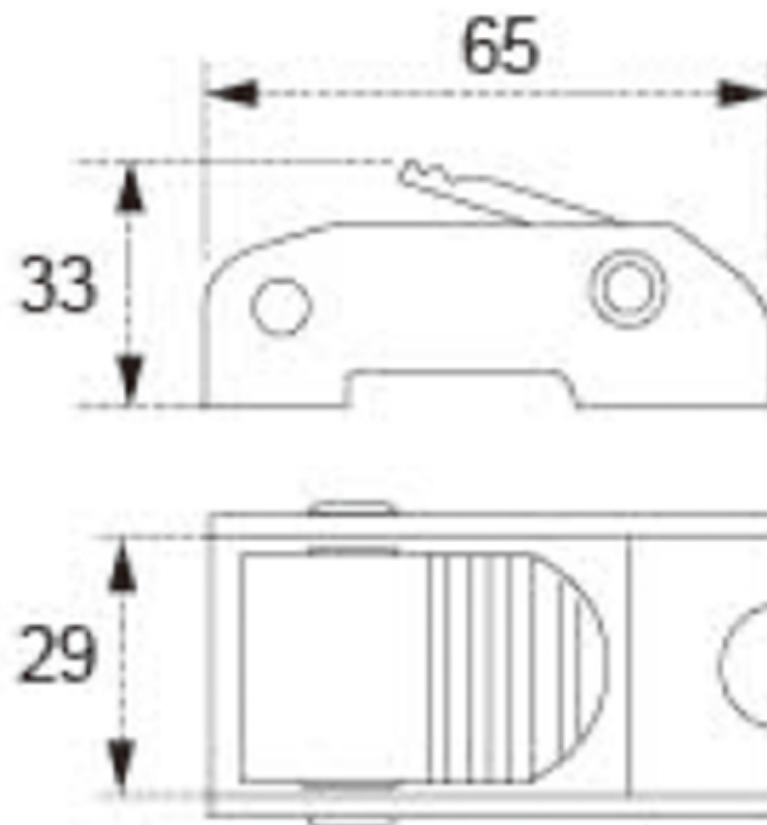


TECHNICAL DRAWING



Tower Industry
YOUR MANUFACTURING BASE IN CHINA

Sales@tower-machinery.com
www.tower-machinery.com

TWCB18
Cam Buckle

Size: 1"

BS: 600 KG/1320 LBS

N/W: 120G