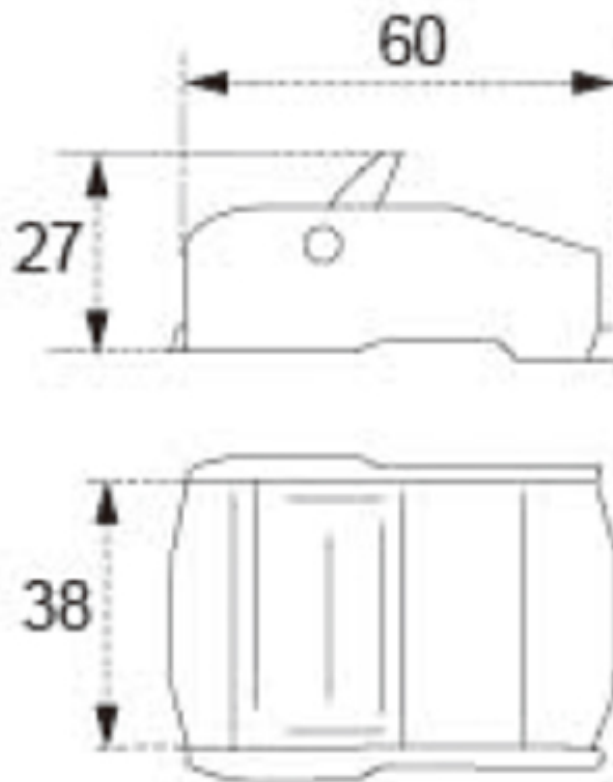


TECHNICAL DRAWING



Tower Industry
YOUR MANUFACTURING BASE IN CHINA

Sales@tower-machinery.com
www.tower-machinery.com

TWCB17
Cam Buckle

Size: 1-1/2"
BS: 850 KG/1870 LBS
NW: 131G