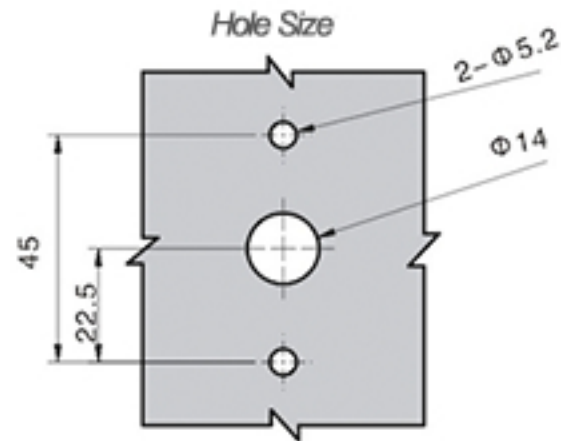
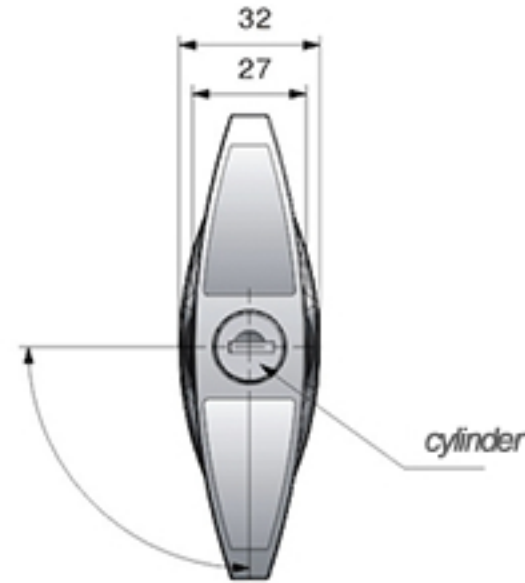
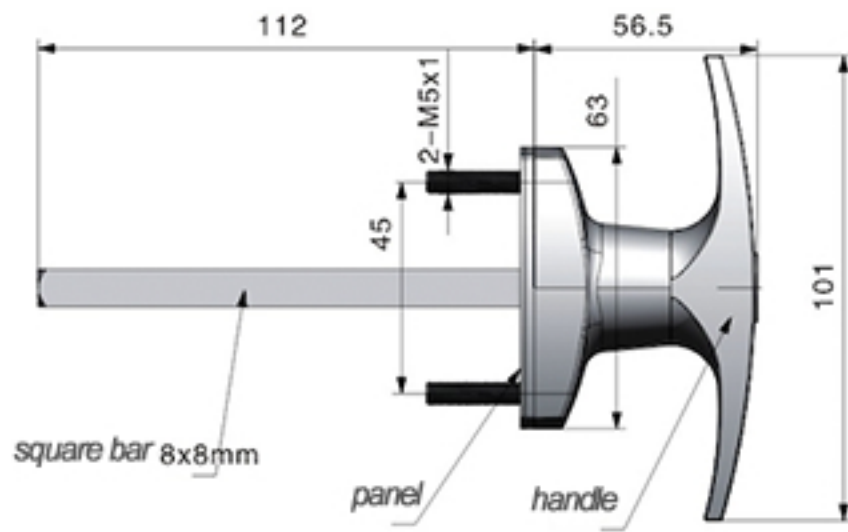


# TECHNICAL DRAWING



TW316-C-1



TW316-C-2

**Tower Industry**  
YOUR MANUFACTURING BASE IN CHINA

Sales@tower-machinery.com  
www.tower-machinery.com

Handle Lock

**MATERIAL:** PA base, handle. ZDC cylinder. Steel shaft.  
**SURFACE:** Zinc plated cylinder with stainless steel dust-proof cap. Zinc plated shaft.  
**REMARK:** 90 degree turn achieve open and lock.