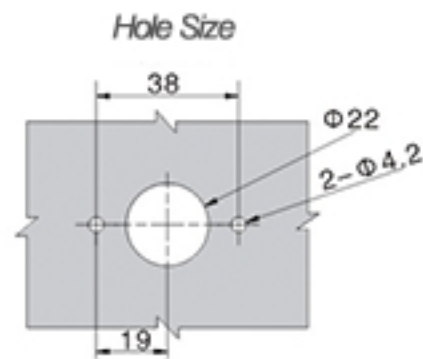
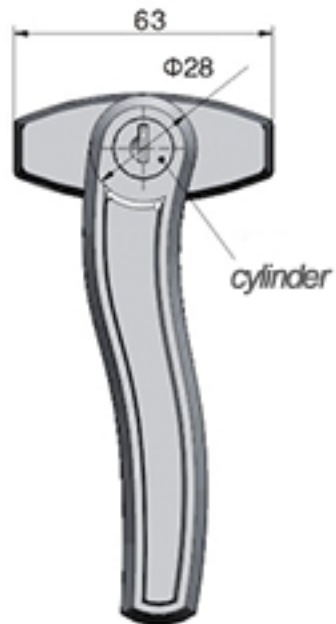
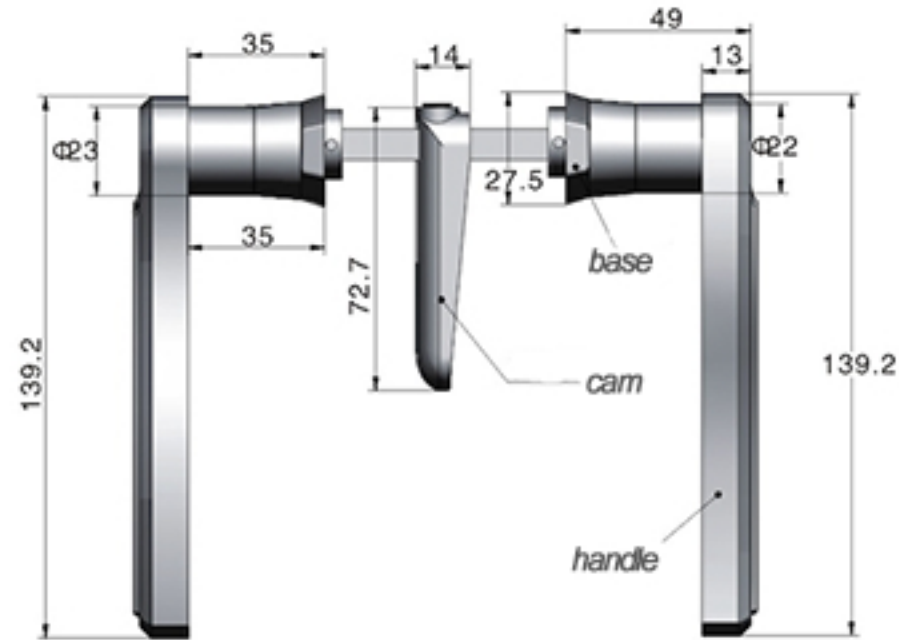


TECHNICAL DRAWING



Tower Industry
YOUR MANUFACTURING BASE IN CHINA

Sales@tower-machinery.com
www.tower-machinery.com

TW302B

Handle Lock

MATERIAL: ZDC base, handle, cylinder and cam.
Steel shaft.

SURFACE: Chrome plated cylinder, power coated handle,
base and cam. Zinc plated shaft.

REMARK: 90 degree turn achieve open and lock