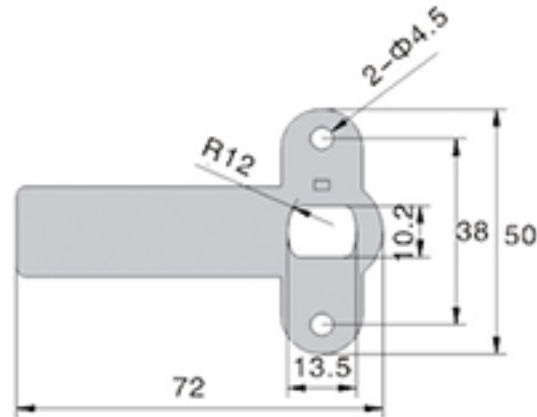
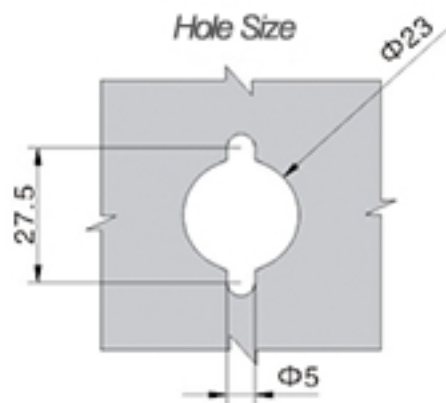
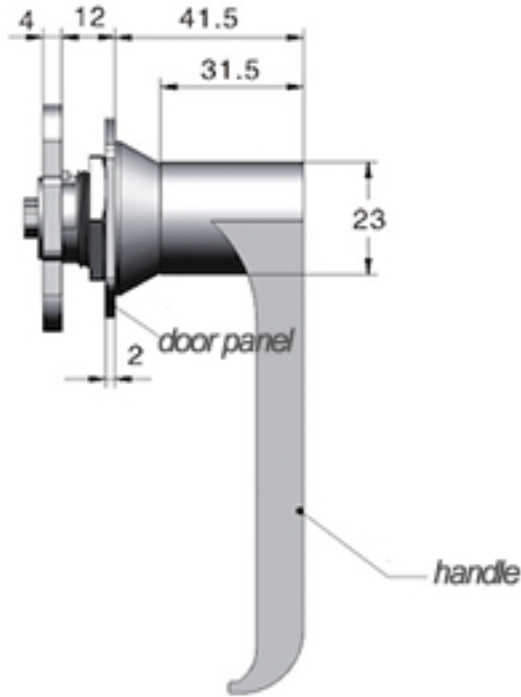
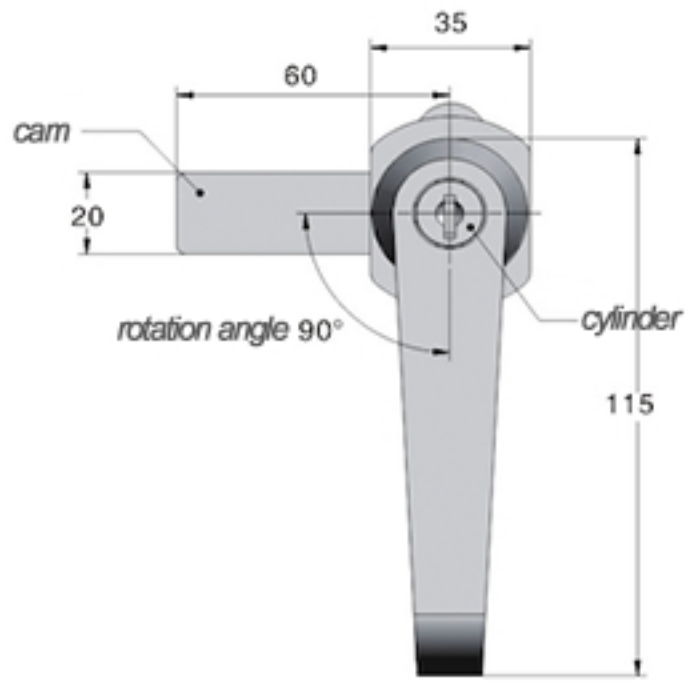


TECHNICAL DRAWING



TW301-1



TW301-2

Tower Industry
YOUR MANUFACTURING BASE IN CHINA

Sales@tower-machinery.com
www.tower-machinery.com

Handle Lock

MATERIAL: ZDC base, handle and cylinder. steel cam
SURFACE: Chrome plated base, handle and cylinder,
zinc plated cam
REMARK: 90 degree turn achieve open and lock