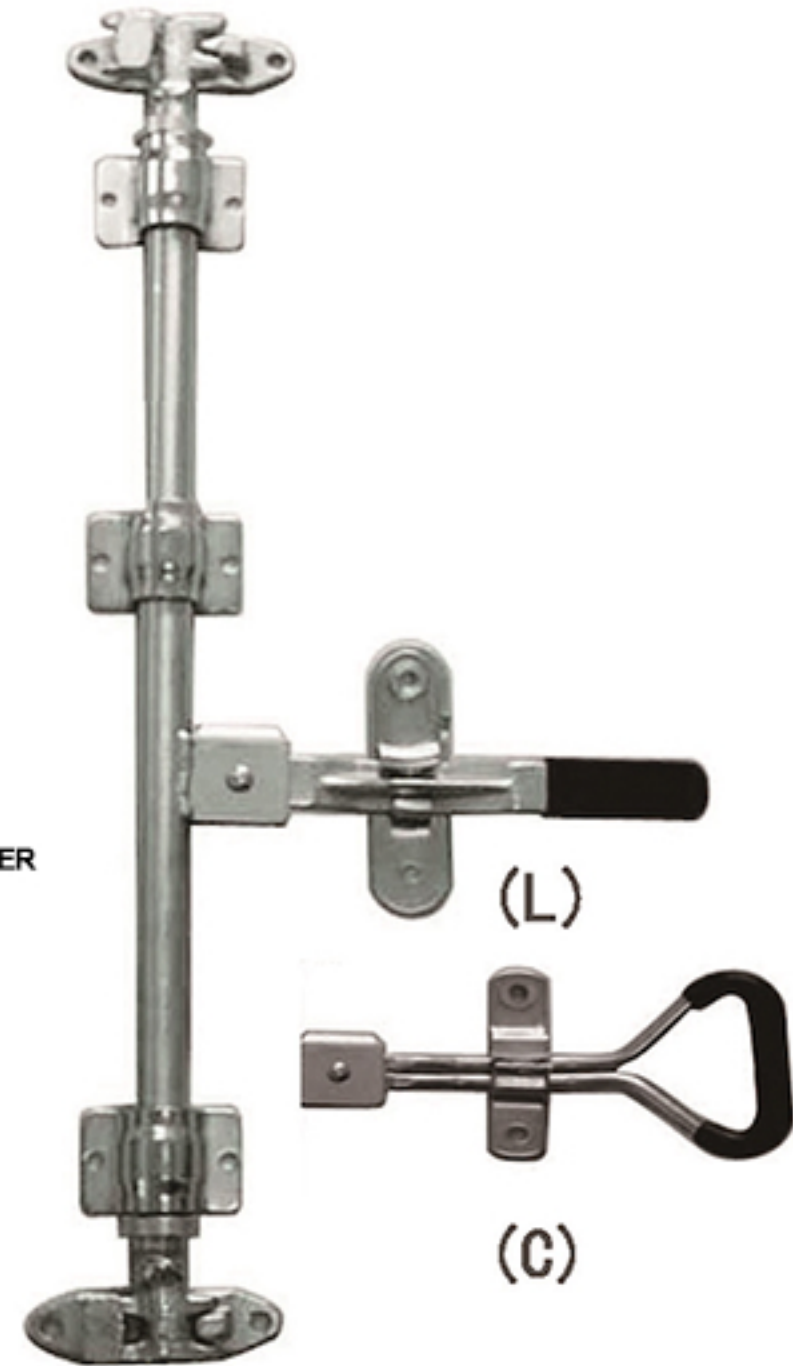
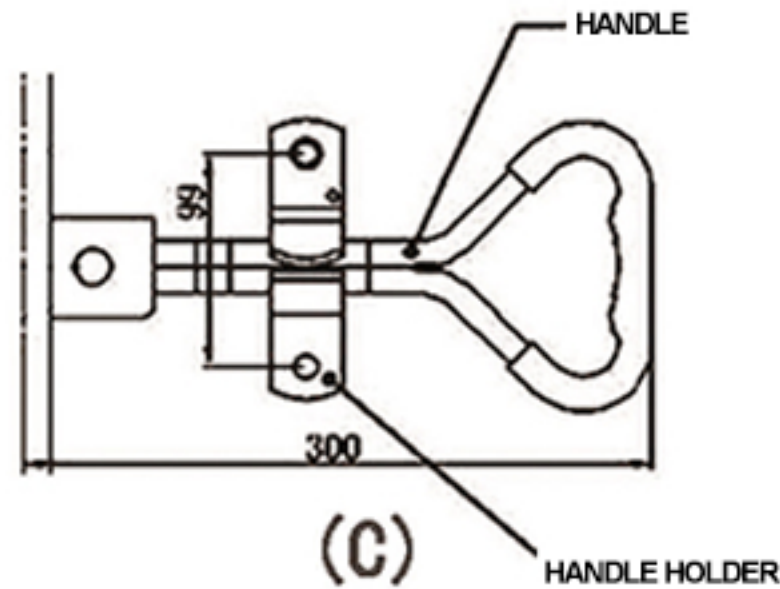
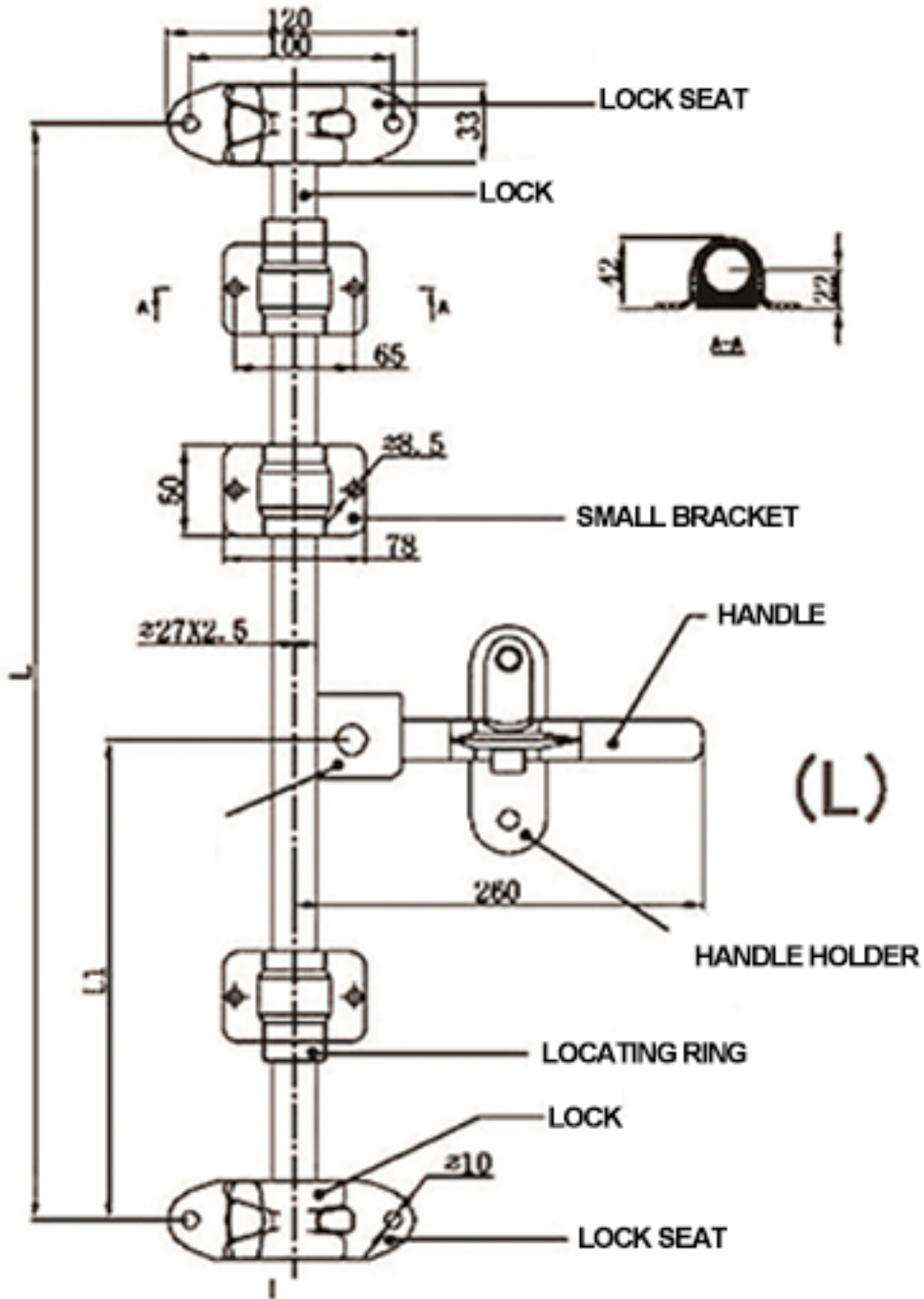


TECHNICAL DRAWING



Tower Industry
YOUR MANUFACTURING BASE IN CHINA

Sales@tower-machinery.com
www.tower-machinery.com

TW-DL887
TW-DL887S
Compression Lock

Weight: 2.46kg / 2.45kg

MATERIAL: Steel / stainless steel

FINISH: Zinc / polish