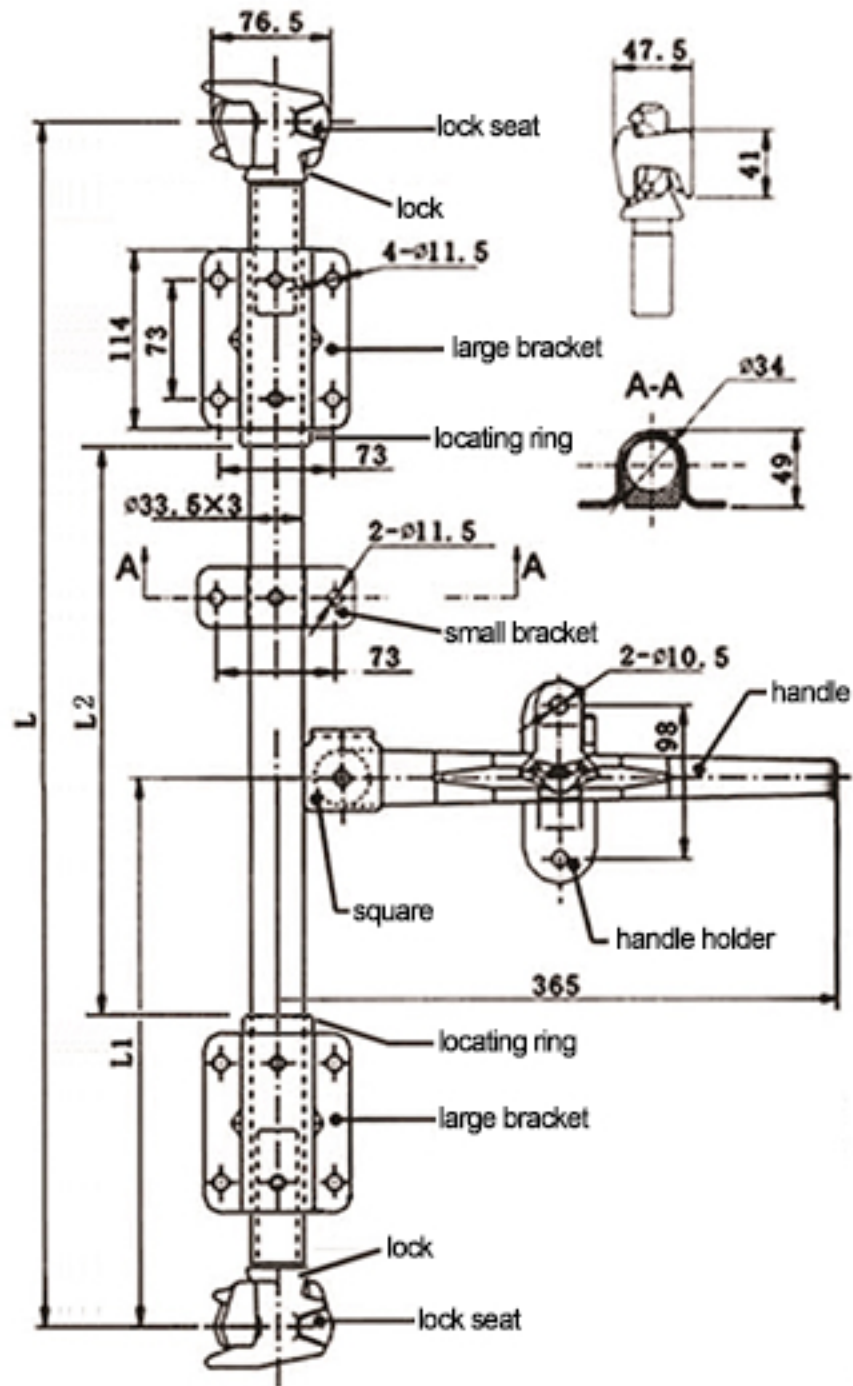


TECHNICAL DRAWING



Tower Industry
YOUR MANUFACTURING BASE IN CHINA

Sales@tower-machinery.com
www.tower-machinery.com

TW-DL882

Compression Lock

Weight: 4.6kg

MATERIAL: Steel

FINISH: Zinc