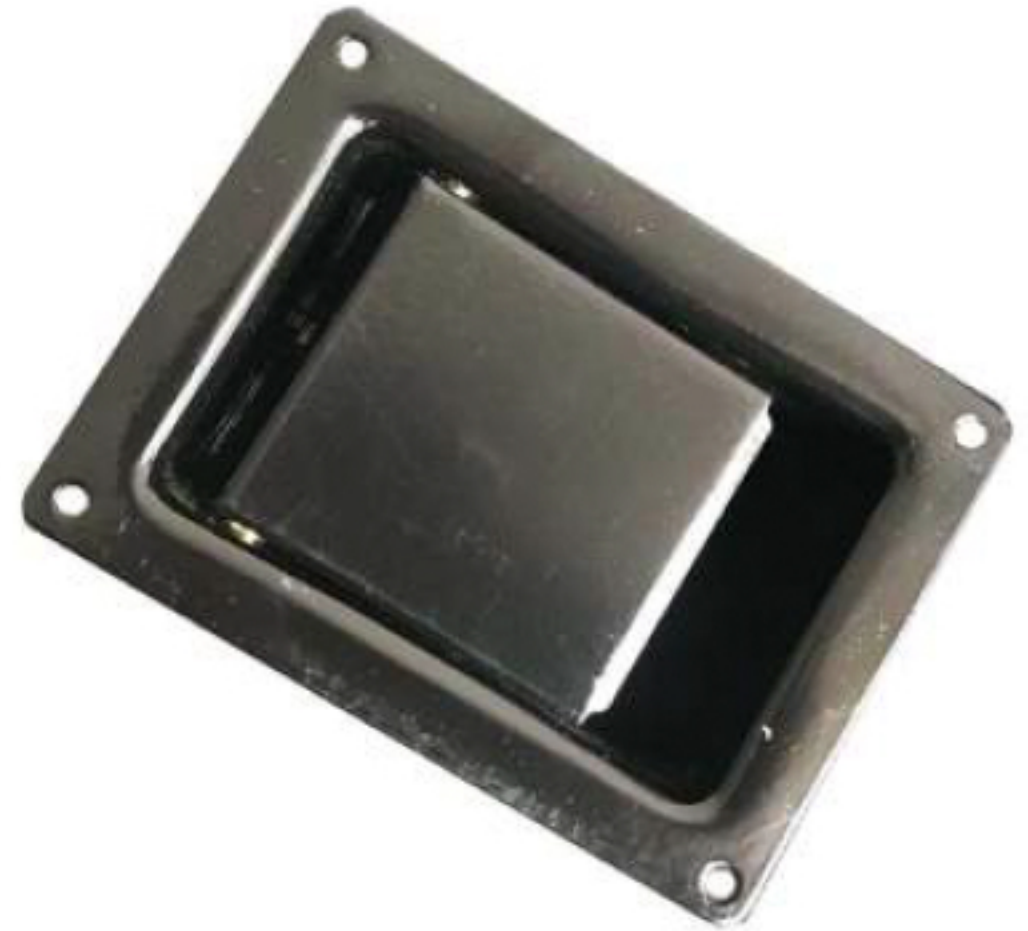
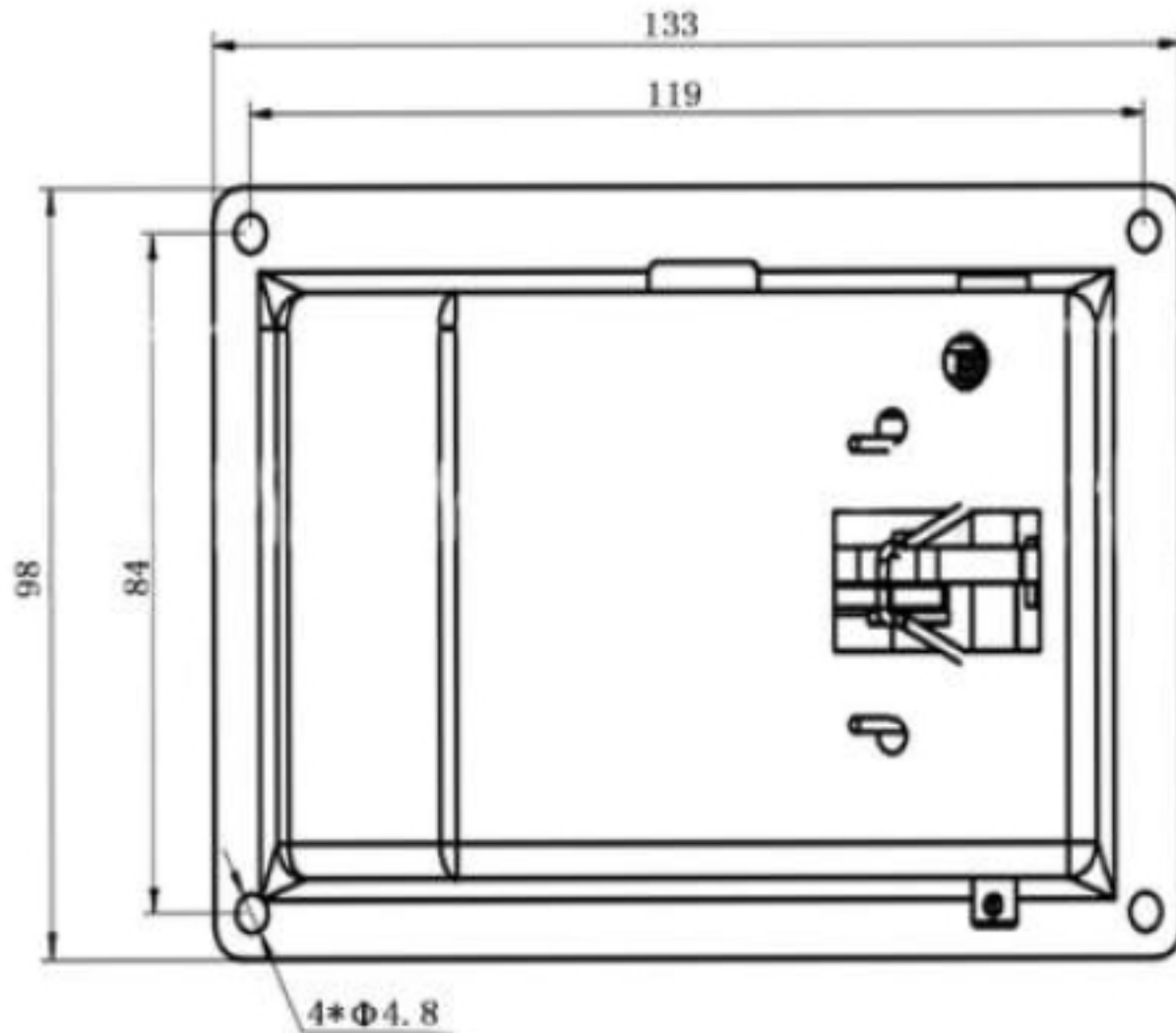


TECHNICAL DRAWING



Tower Industry
YOUR MANUFACTURING BASE IN CHINA

Sales@tower-machinery.com
www.tower-machinery.com

TW-LP315
TW-LP315S

Paddle Lock

DIMENSIONS: 133mm x 98mm

MATERIAL: Steel / Stainless steel

FINISH: Power coated / Polish