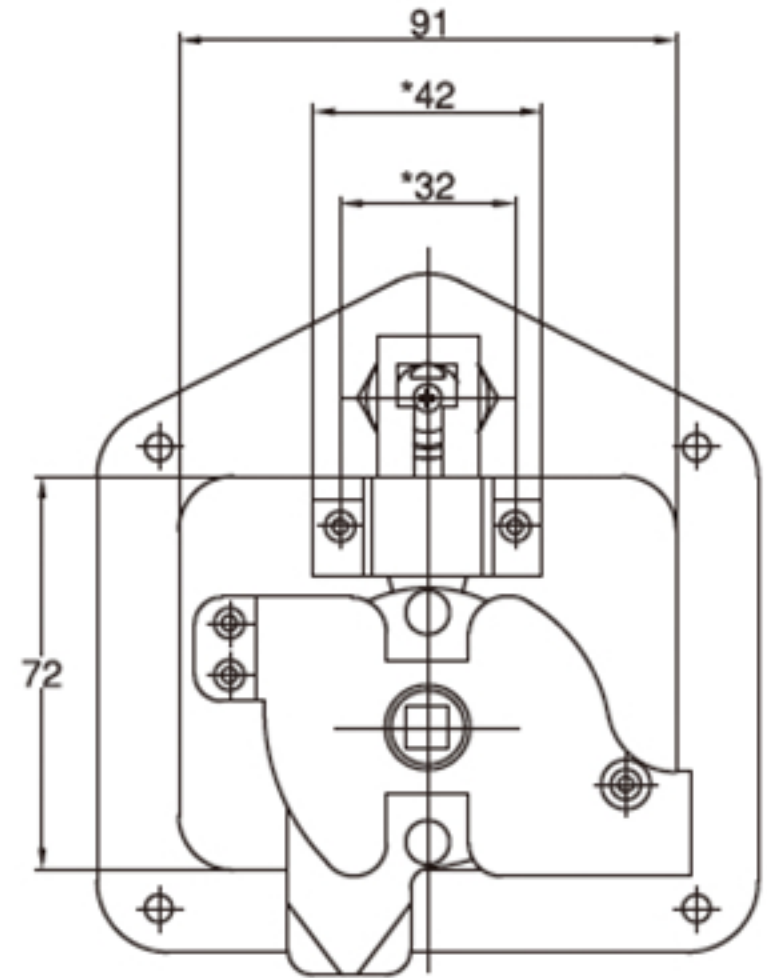
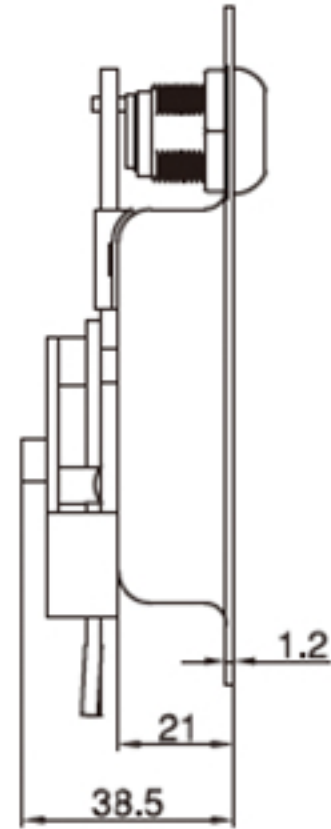
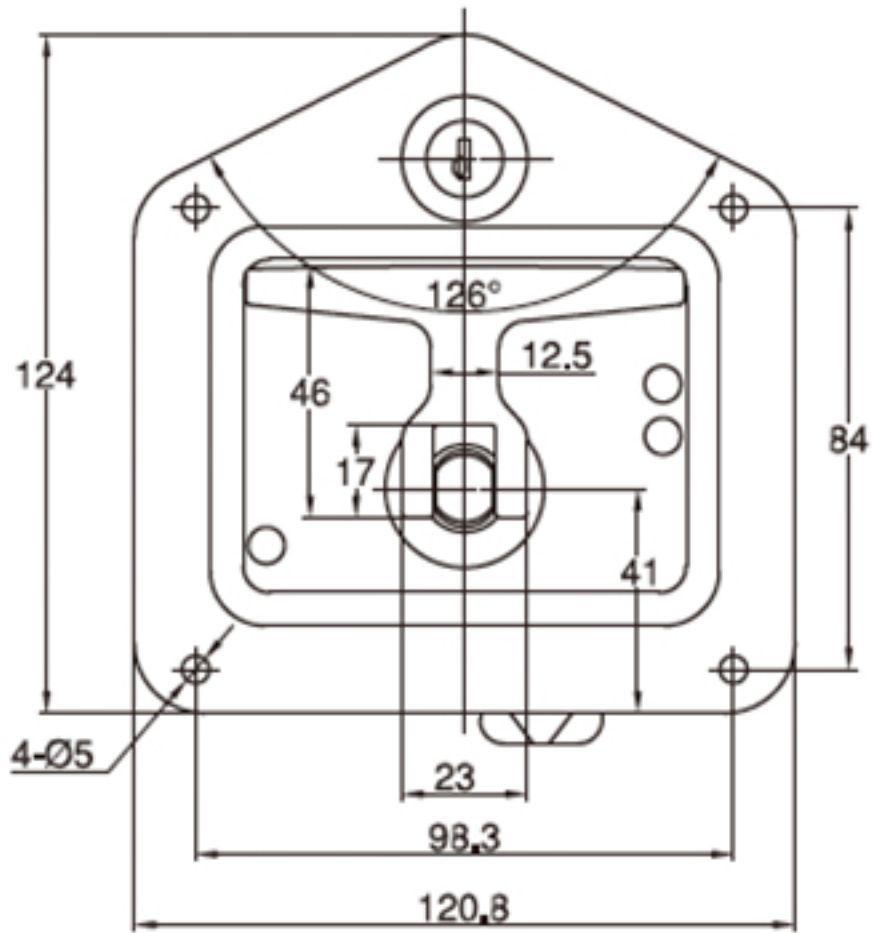


TECHNICAL DRAWING



Tower Industry
YOUR MANUFACTURING BASE IN CHINA

Sales@tower-machinery.com
www.tower-machinery.com

TW-LP309
TW-LP309S

Paddle Lock

DIMENSIONS:

MATERIAL: Steel / stainless steel

FINISH: Zinc / polished