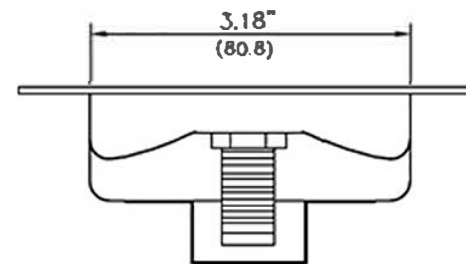
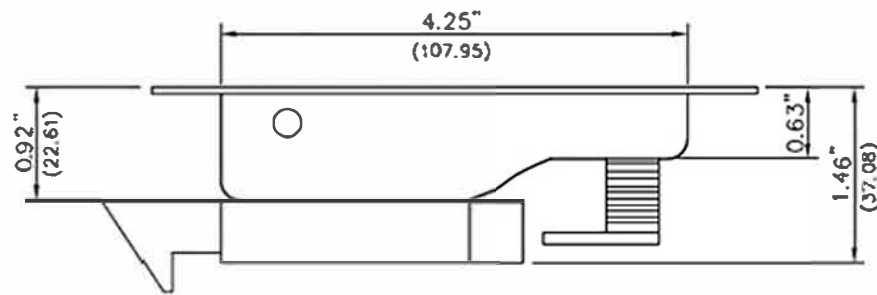
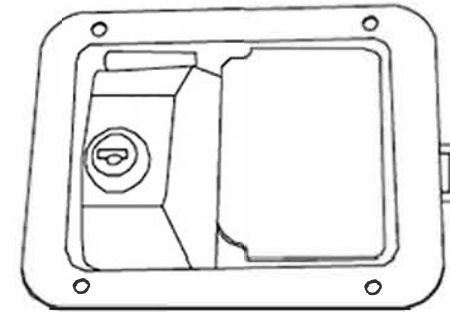
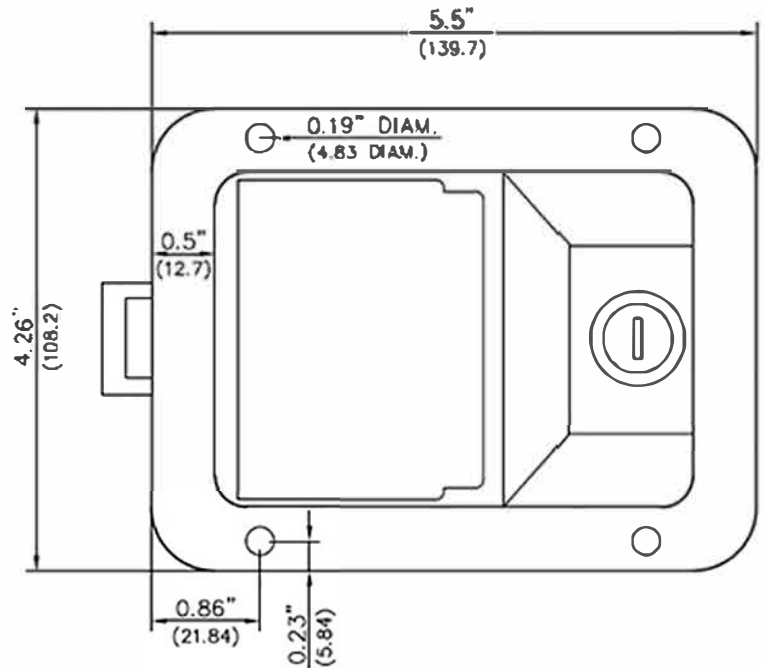


TECHNICAL DRAWING



Tower Industry
YOUR MANUFACTURING BASE IN CHINA

Sales@tower-machinery.com
www.tower-machinery.com

TW-LP304/TW-LP304S
Paddle Lock

DIMENSIONS: 5.5" x 4.25"

MATERIAL: Steel/Stainless steel

FINISH: Zinc/Polish