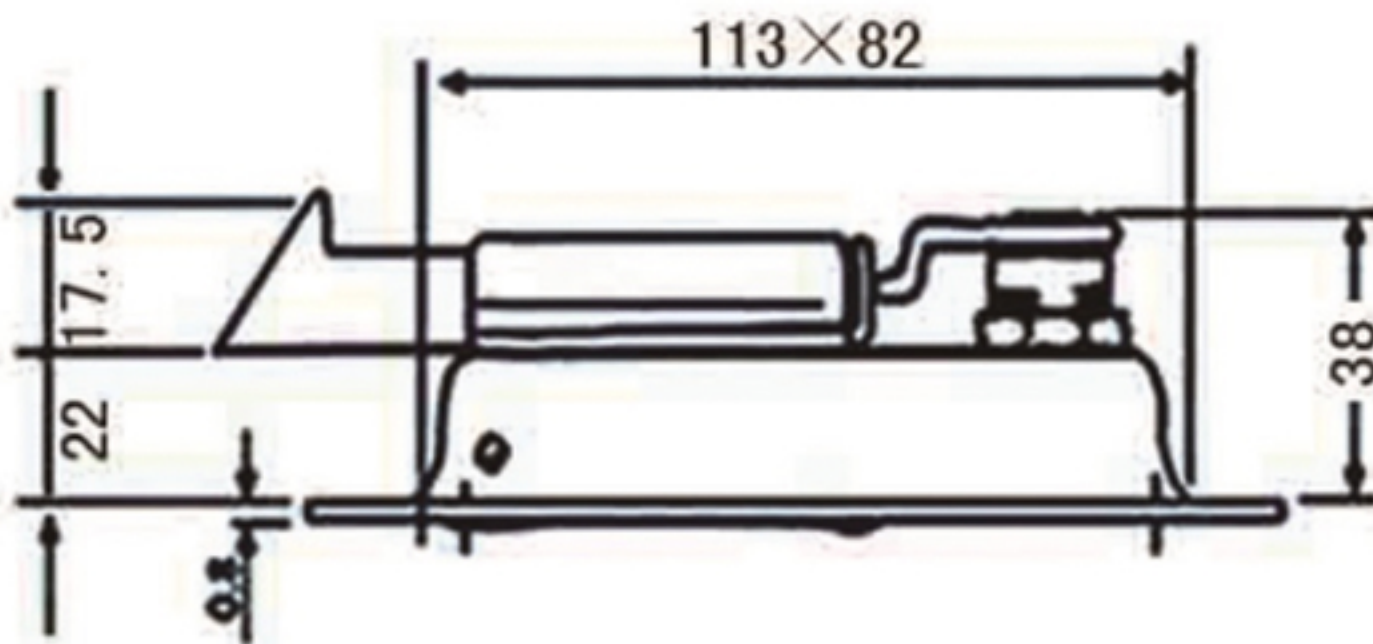
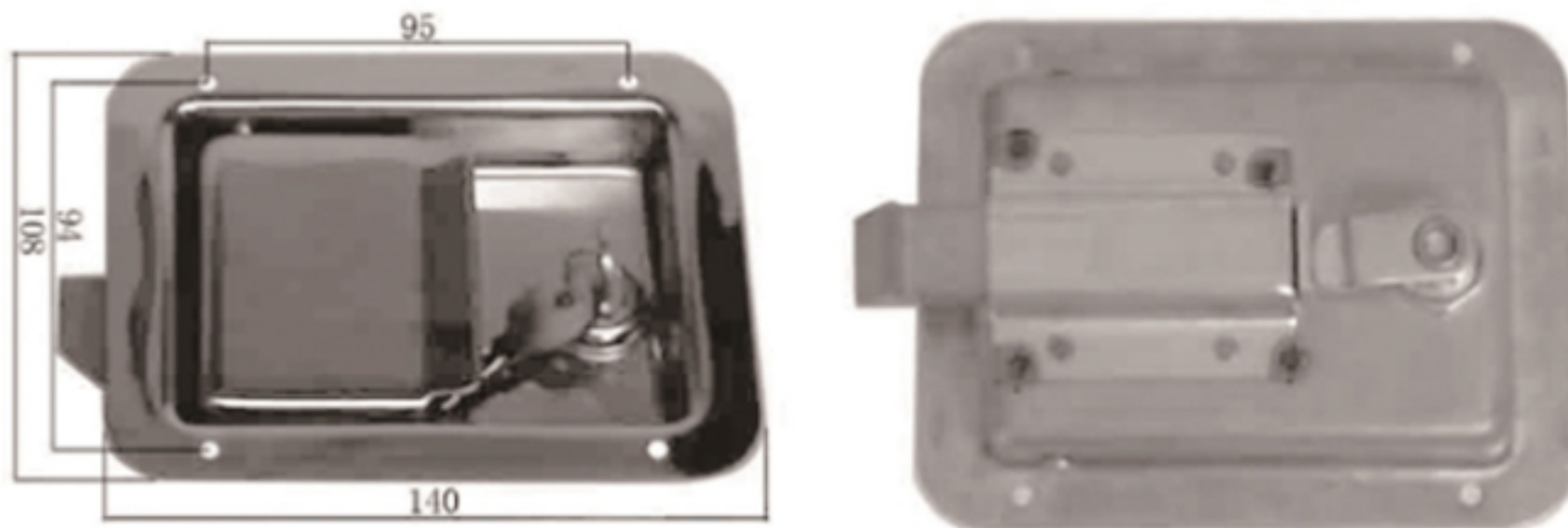


# TECHNICAL DRAWING



**Tower Industry**  
YOUR MANUFACTURING BASE IN CHINA

Sales@tower-machinery.com  
www.tower-machinery.com

TW-LP302  
TW-LP302S

Paddle Lock

DIMENSIONS: 140mm x 108mm

MATERIAL: Steel / Stainless steel

FINISH: Zinc / No