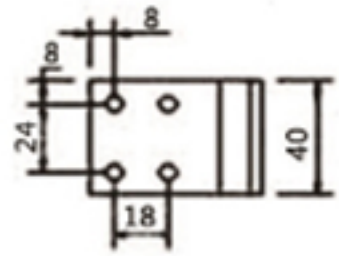
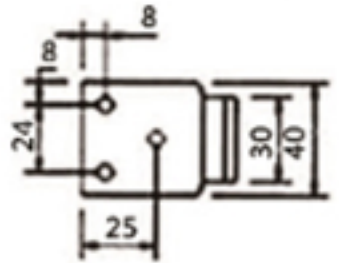


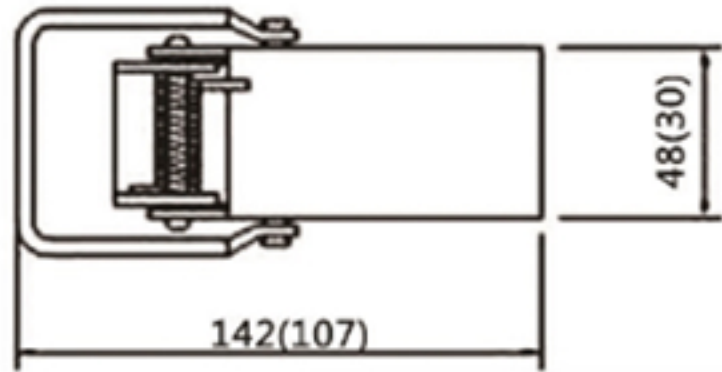
TECHNICAL DRAWING



Big



small



Tower Industry

YOUR MANUFACTURING BASE IN CHINA

Sales@tower-machinery.com

www.tower-machinery.com

Over Center Latch

Code	Material	Finish	Size
TW-FR102	Steel	Zinc	142mm
TW-FR102S	SS	Polish	142mm
TW-FR103	Steel	Zinc	107mm
TW-FR103S	SS	Polish	107mm