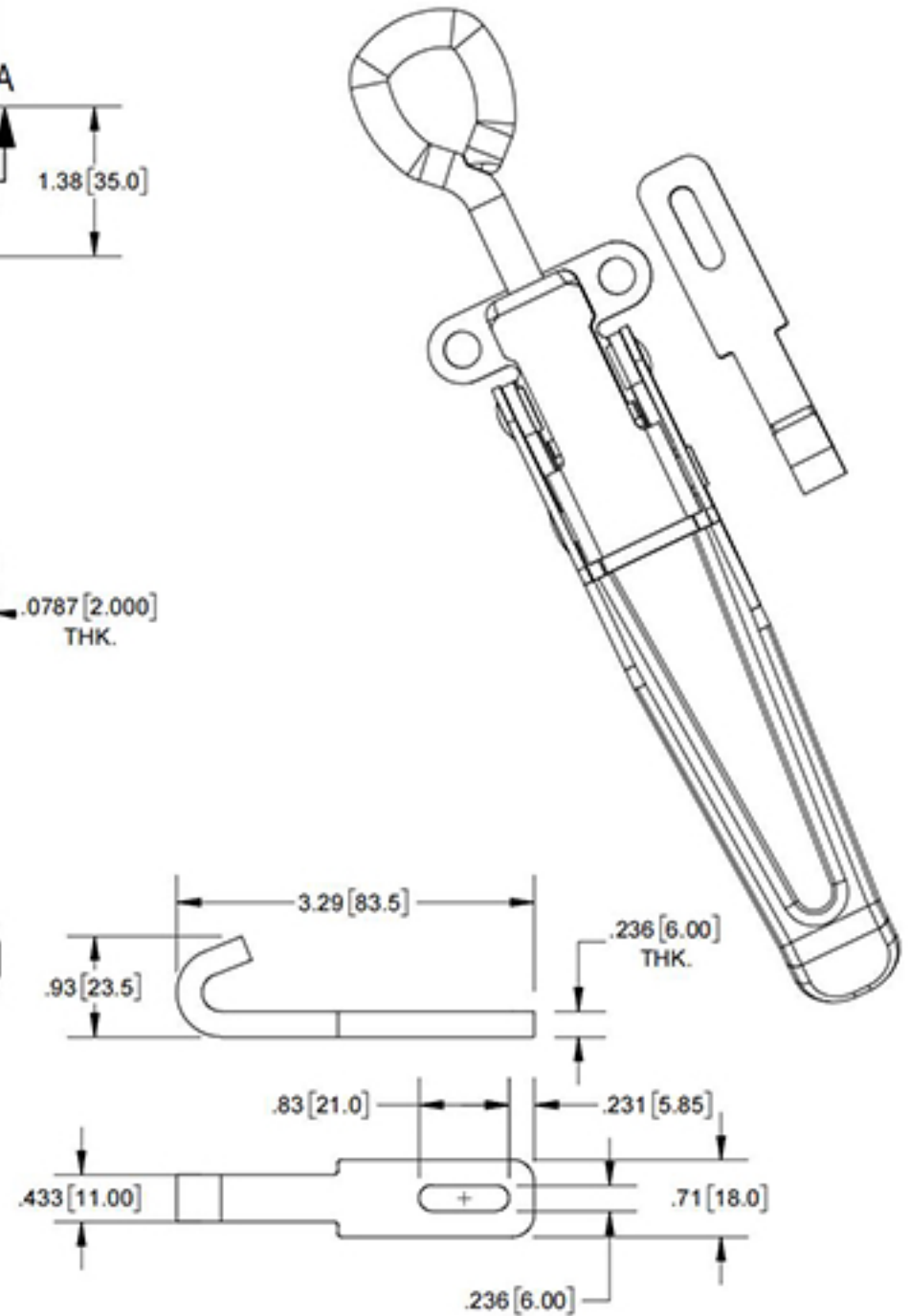
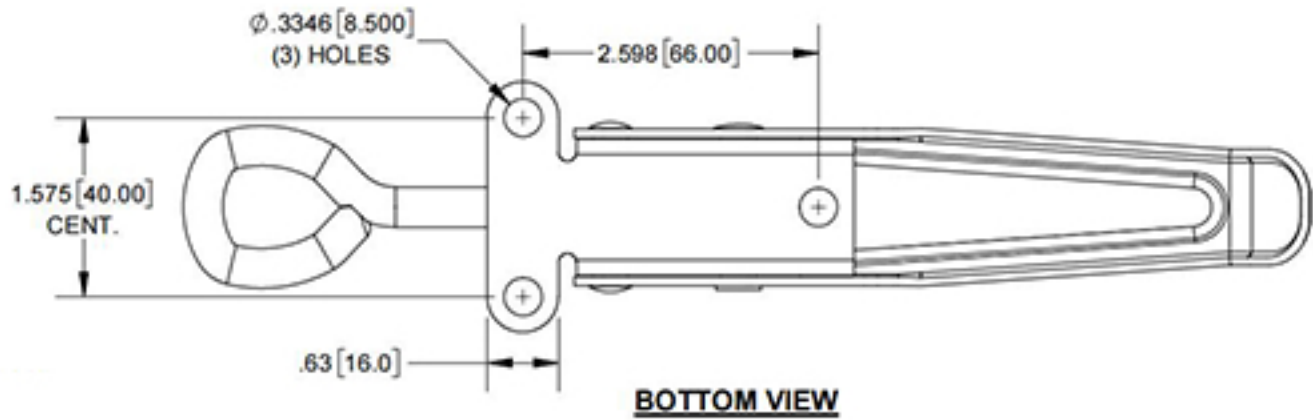
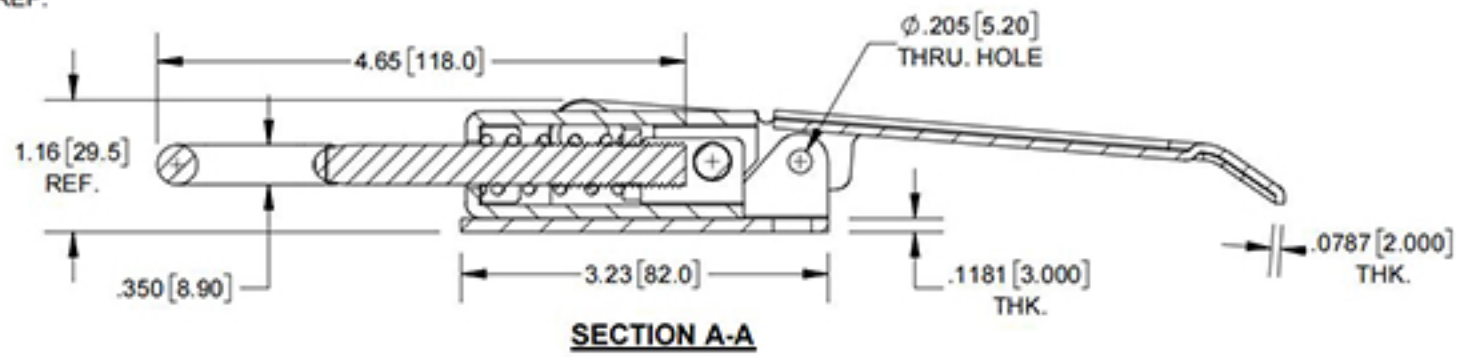
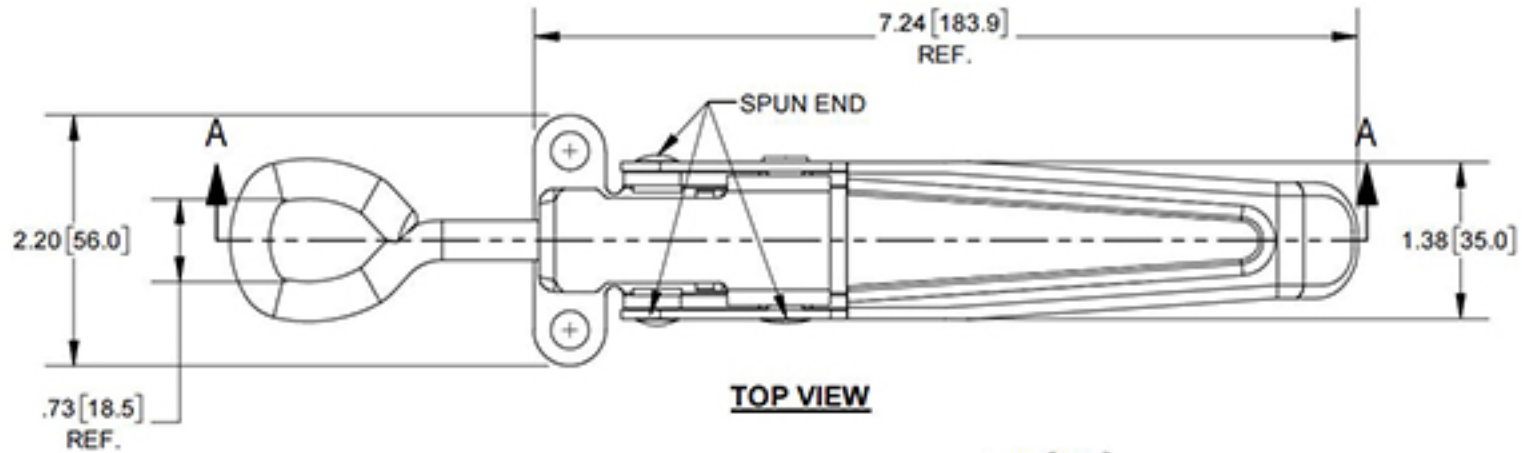


TECHNICAL DRAWING



Tower Industry
YOUR MANUFACTURING BASE IN CHINA

Sales@tower-machinery.com
www.tower-machinery.com

TW-FR101
TW-FR101S
Over Center Latch

DIMENSIONS: 9.5"

MATERIAL: Steel / Stainless steel

FINISH: Zinc / Polish