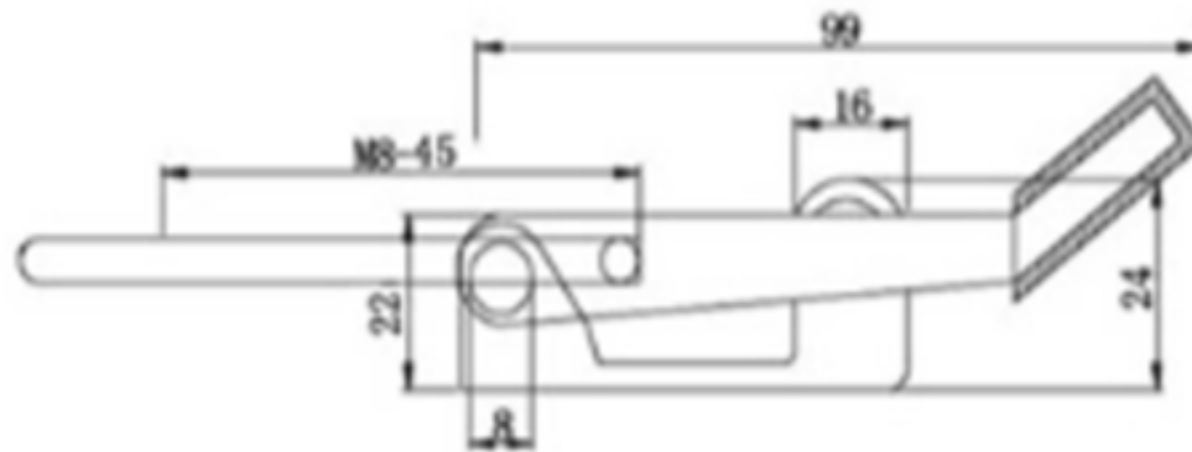
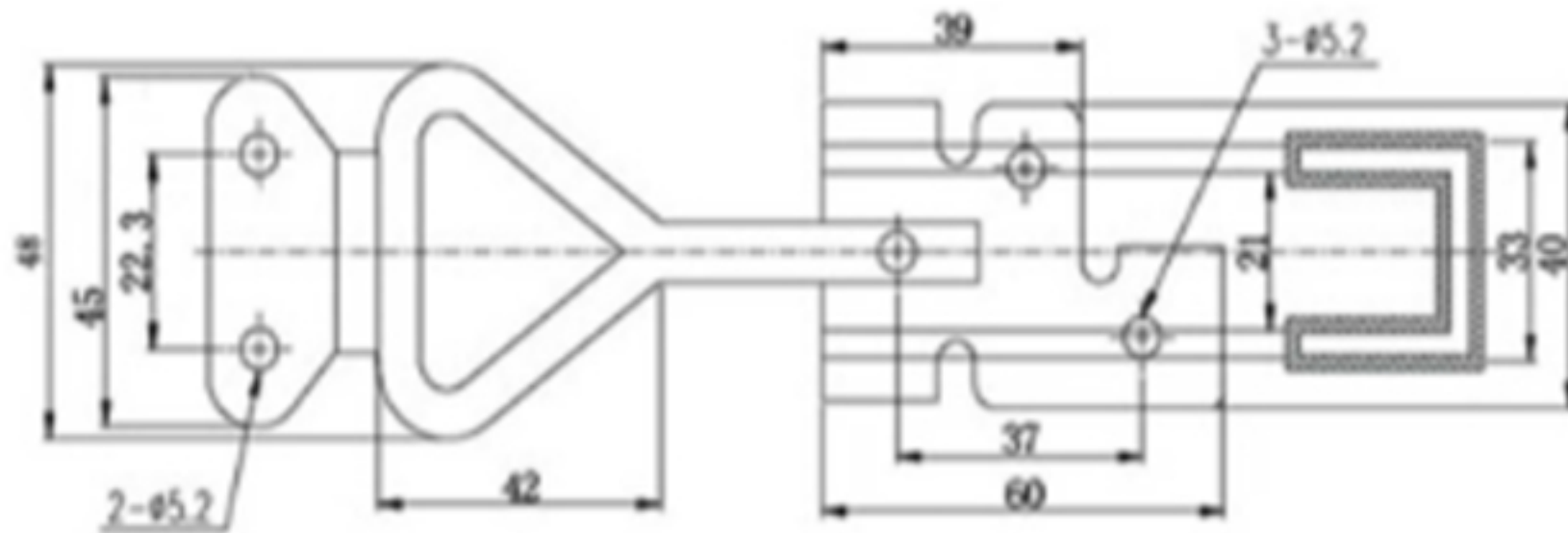


TECHNICAL DRAWING



Tower Industry
YOUR MANUFACTURING BASE IN CHINA

Sales@tower-machinery.com
www.tower-machinery.com

TW-4001
TW-4001SS

Toggle Latch

DIMENSIONS:

MATERIAL: Steel / stainless steel

FINISH: Zinc / no