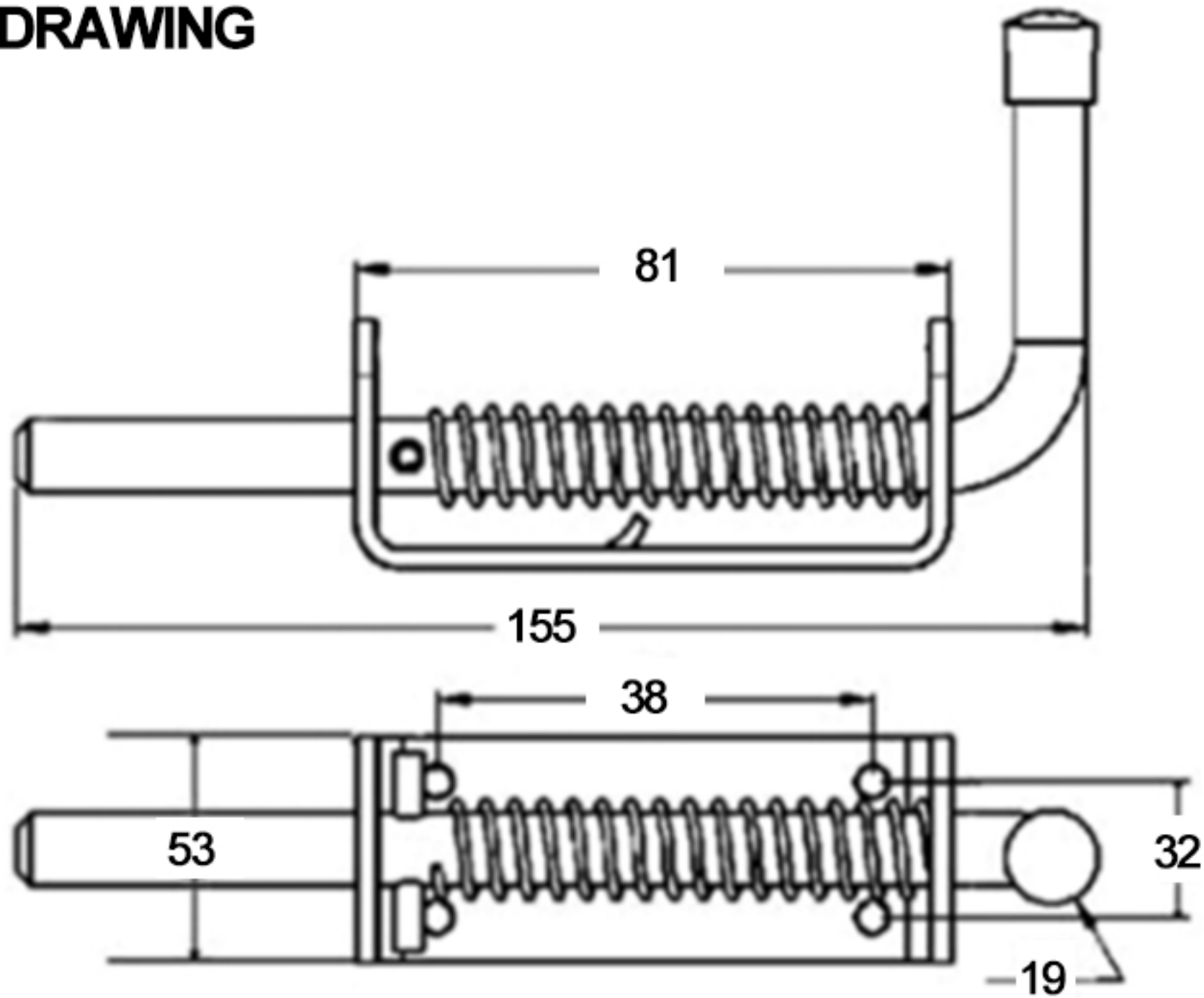


TECHNICAL DRAWING



Tower Industry

YOUR MANUFACTURING BASE IN CHINA

Sales@tower-machinery.com

www.tower-machinery.com

TW-B-008

Spring Latch

DIMENSIONS: 155mm

MATERIAL: Steel / Stainless steel

FINISH: Zinc / No