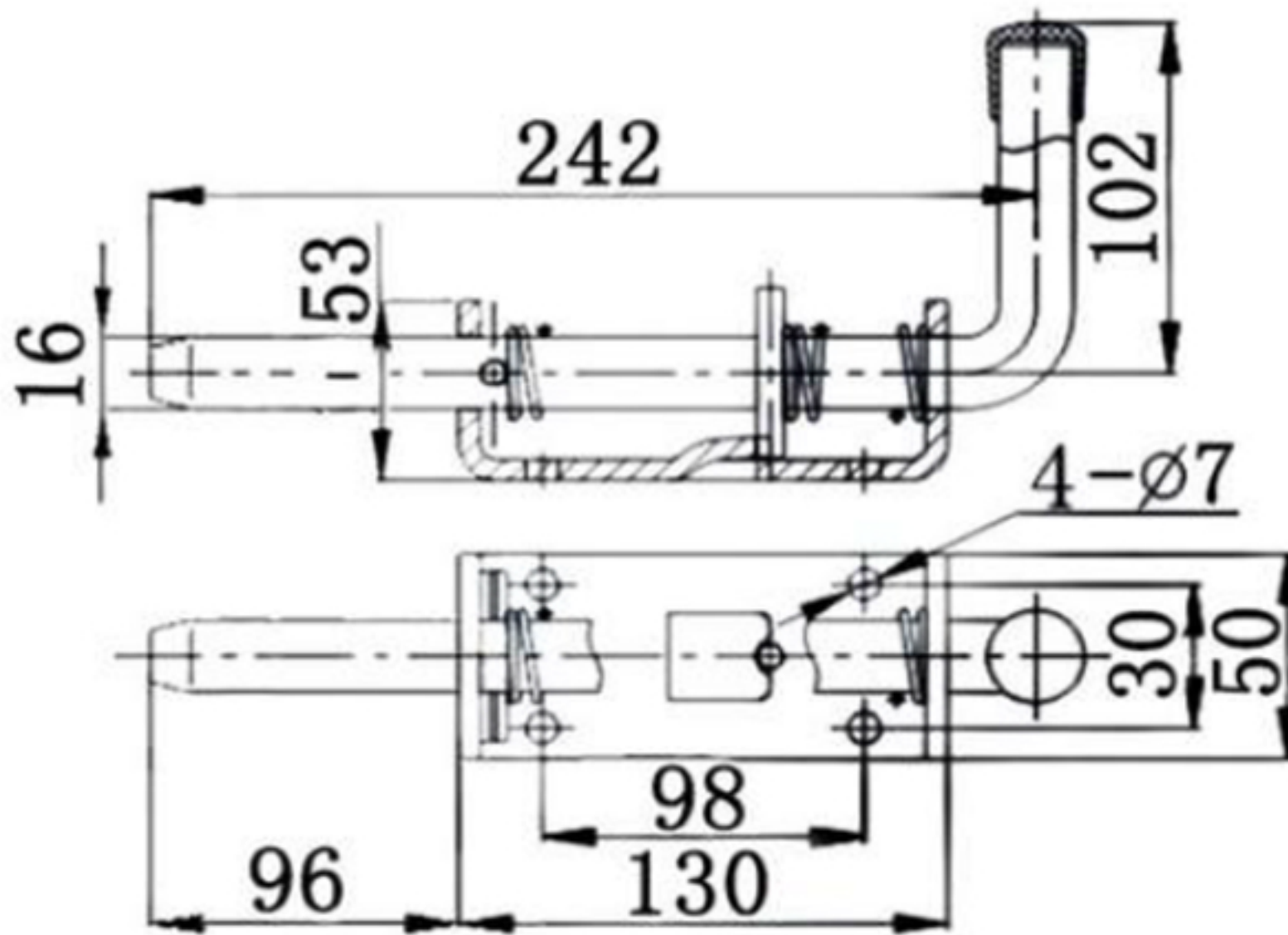


# TECHNICAL DRAWING



**Tower Industry**  
YOUR MANUFACTURING BASE IN CHINA

Sales@tower-machinery.com  
www.tower-machinery.com

TW-B-006

Spring Latch

DIMENSIONS: 250mm

MATERIAL: Steel / Stainless steel

FINISH: Zinc / No