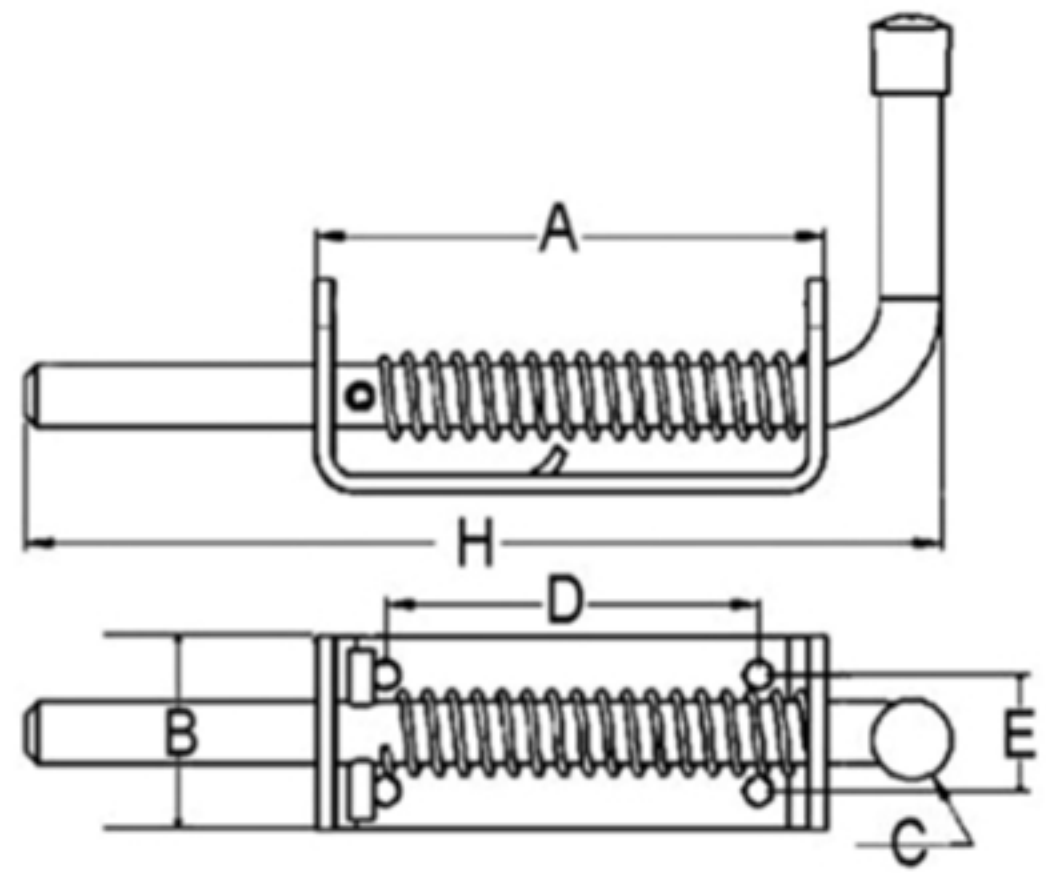


# TECHNICAL DRAWING



Code	Dia. (C)	Base Board(A*B)	Fix Holes(D*E)	Length(H)
TW-B-001	10	72*40	45*25	145
TW-B-002	12	74*40	40*26	162
TW-B-003	12	86*40	46*29	180
TW-B-004	12	120*40	79*21	225
TW-B-005	14	91*40	60*28	175
TW-B-006	16	128*50	97*31	250
TW-B-007	19	97*32	60*28	250
TW-B-008	19	81*53	38*32	155
TW-B-009	12.7	75*45	39*32	133
TW-B-010	10	74*45	39*32	129

**Tower Industry**  
YOUR MANUFACTURING BASE IN CHINA

Sales@tower-machinery.com  
www.tower-machinery.com

Spring Latch

MATERIAL: Steel / Stainless steel

FINISH: Zinc / No