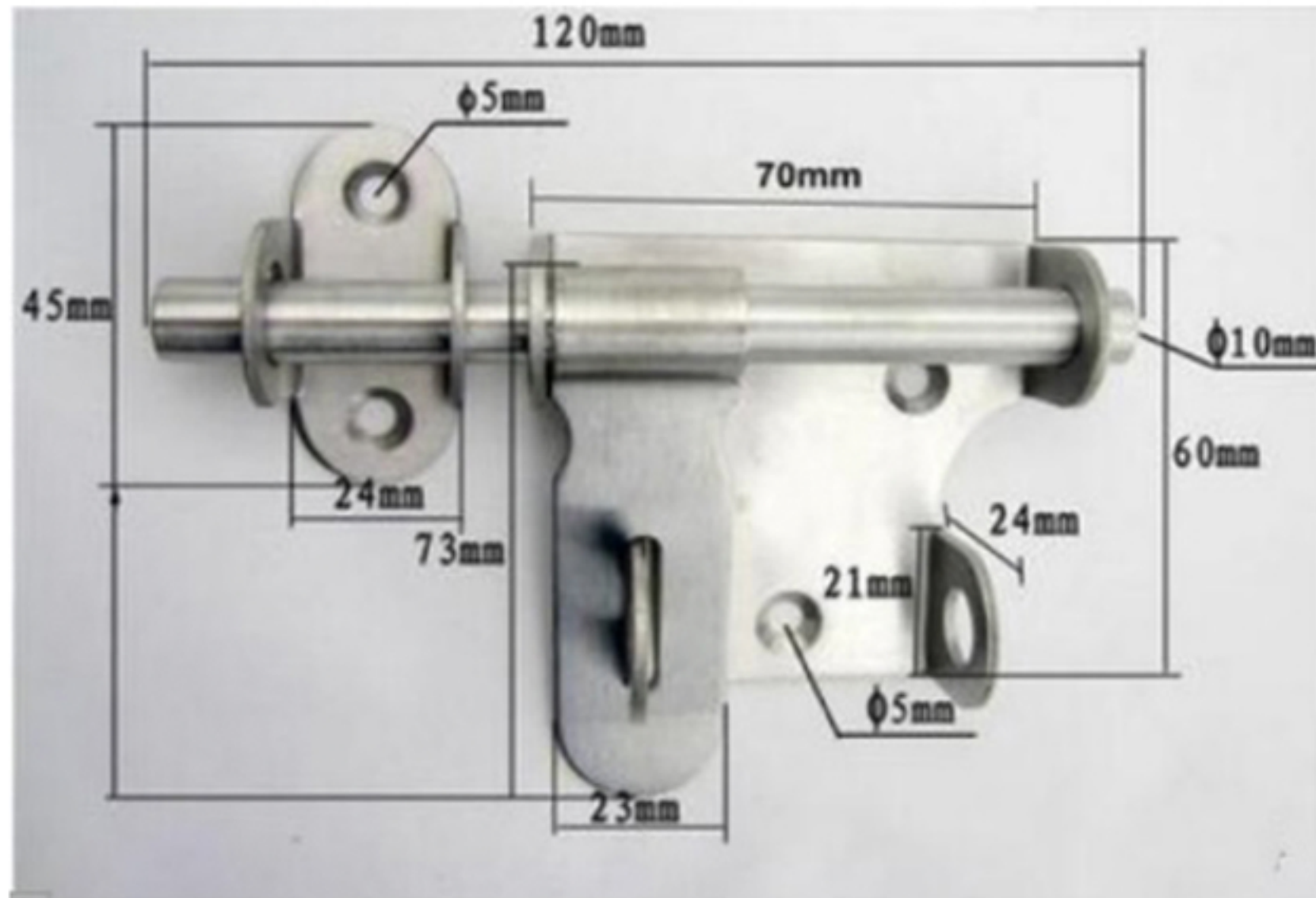


TECHNICAL DRAWING



Tower Industry
YOUR MANUFACTURING BASE IN CHINA

Sales@tower-machinery.com
www.tower-machinery.com

TWSSL02

Bolt Latch

DIMENSIONS: 120mm

MATERIAL: Stainless steel

FINISH: No