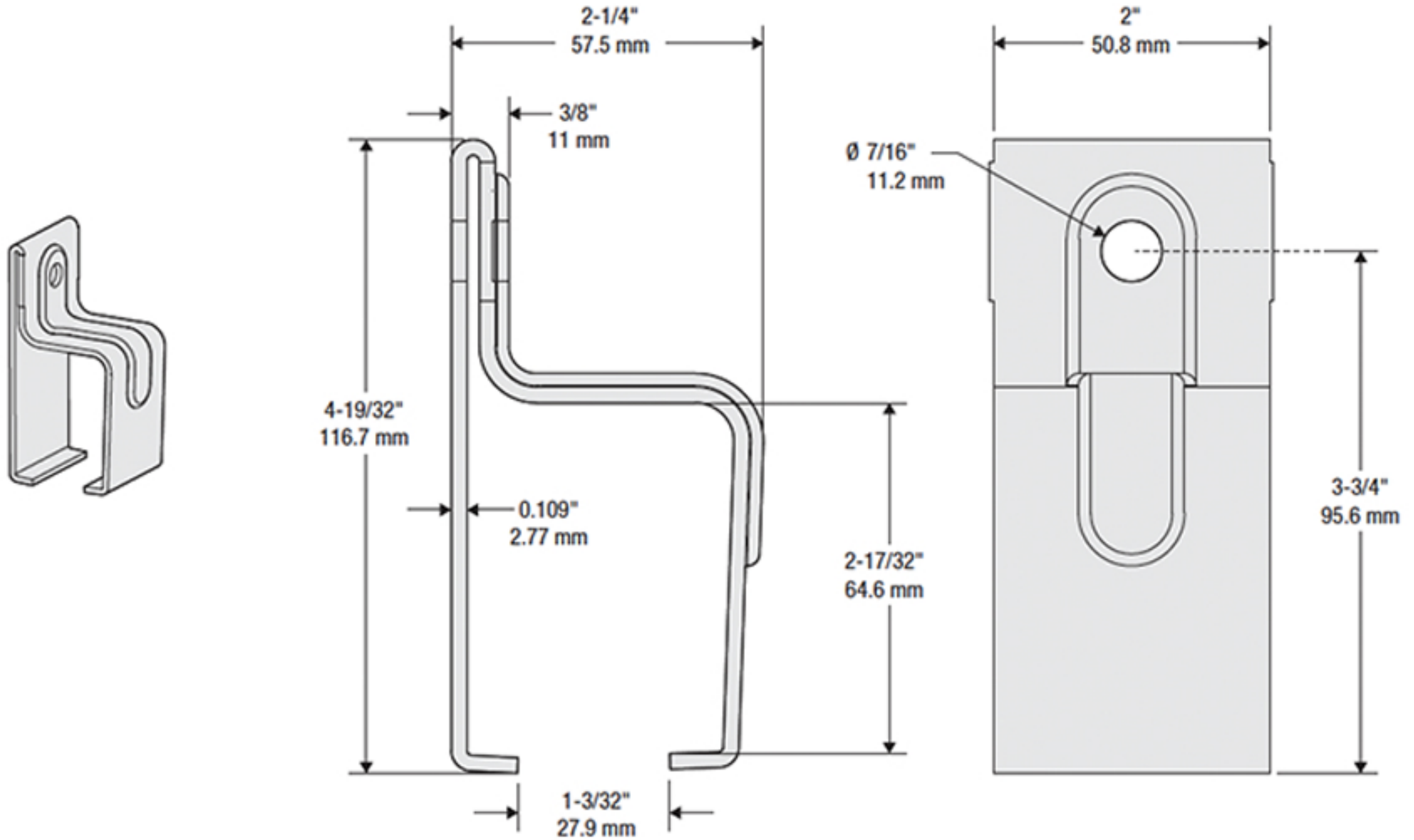


# TECHNICAL DRAWING



**Tower Industry**  
YOUR MANUFACTURING BASE IN CHINA

Sales@tower-machinery.com  
www.tower-machinery.com

TW-K-K1

Galvanized Mounting Bracket

DIMENSIONS: 116.7mm x 57.5mm

MATERIAL: Steel

FINISH: Zinc