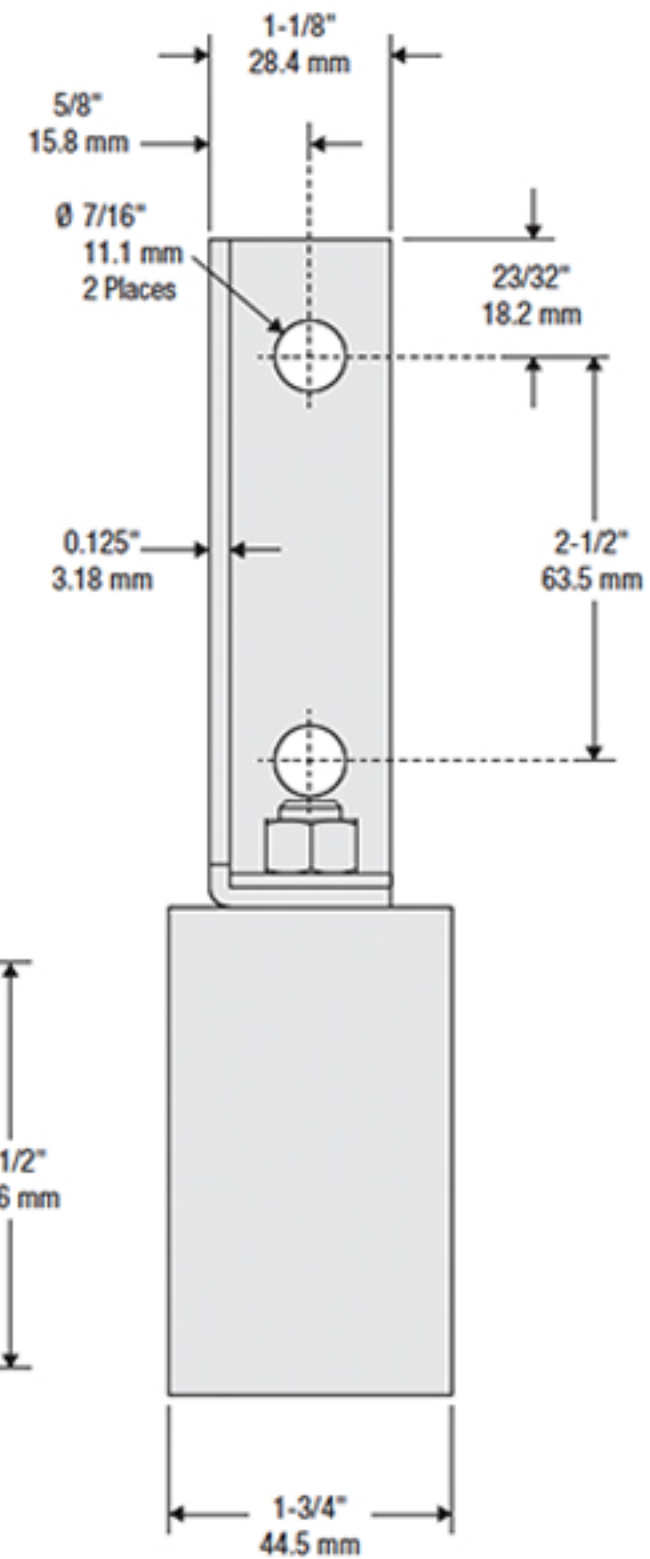
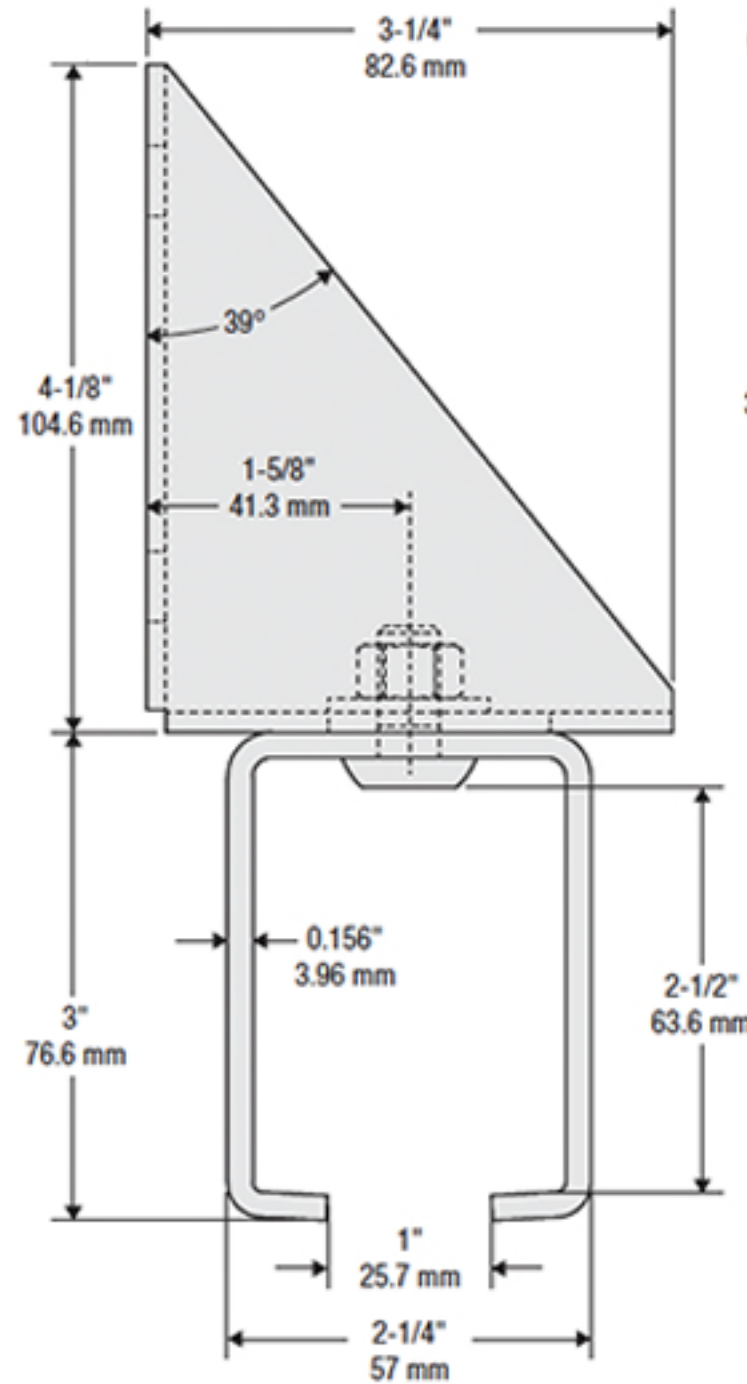
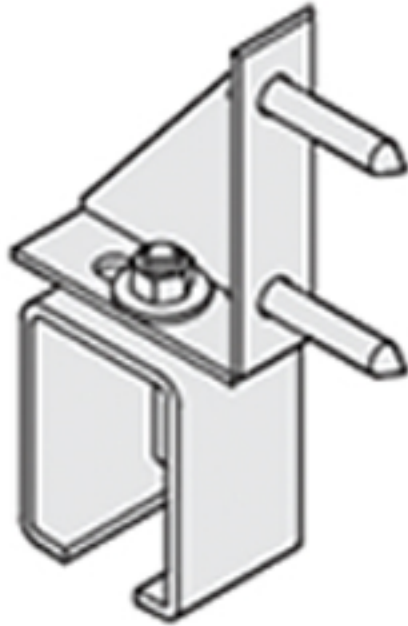


TECHNICAL DRAWING



Tower Industry
YOUR MANUFACTURING BASE IN CHINA

Sales@tower-machinery.com
www.tower-machinery.com

TW-K-7B
Single Track Bracket

DIMENSIONS: 3-1/4" x 7-1/8"

MATERIAL: Steel

FINISH: Zinc