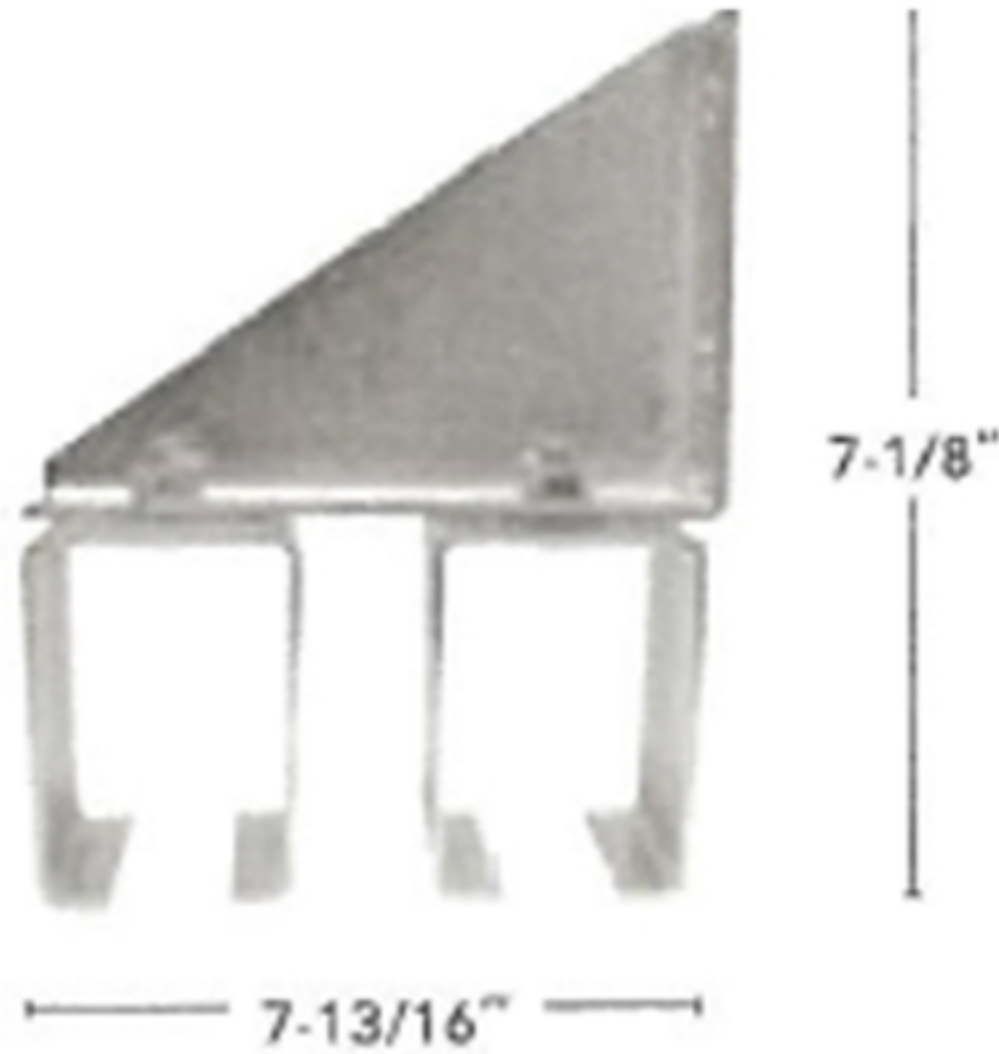


TECHNICAL DRAWING



Tower Industry
YOUR MANUFACTURING BASE IN CHINA

Sales@tower-machinery.com
www.tower-machinery.com

TW-K-8B
Double Track Bracket

DIMENSIONS: 7-13/16" x 7-1/8"

MATERIAL: Steel

FINISH: Zinc