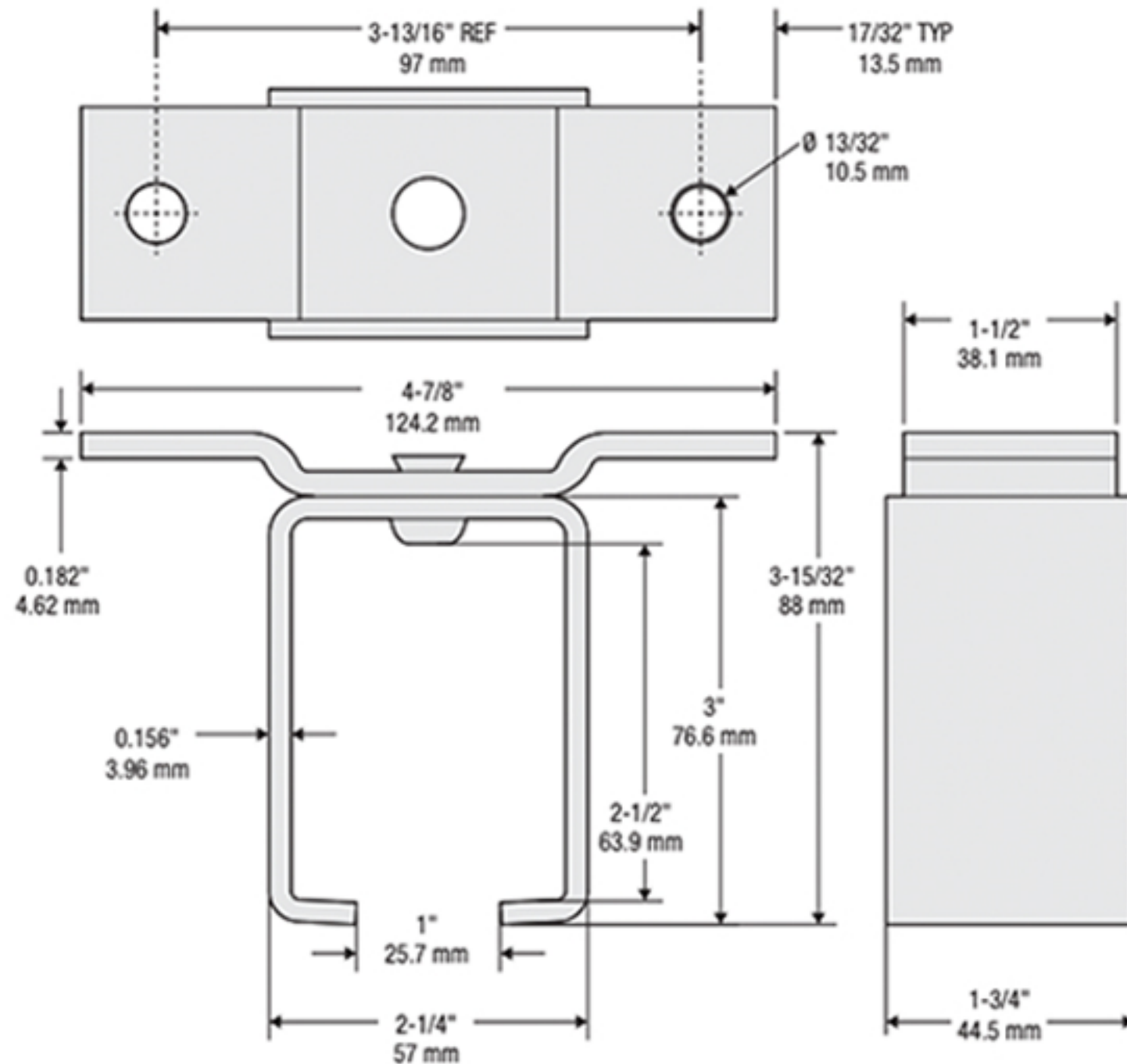
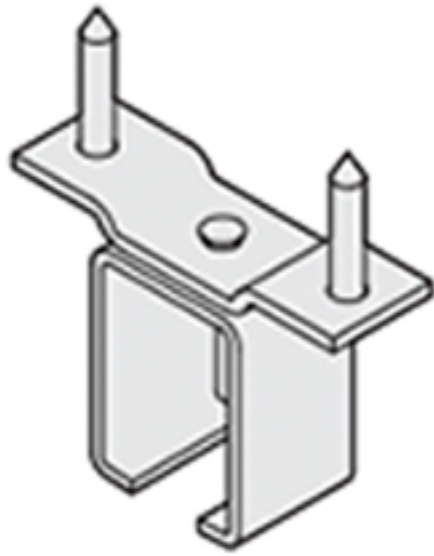


# TECHNICAL DRAWING



**Tower Industry**  
YOUR MANUFACTURING BASE IN CHINA

Sales@tower-machinery.com  
www.tower-machinery.com

TW-K-3B

Single Ceiling Track Bracket

DIMENSIONS:  $4\text{-}7/8\text{''}$  x  $3\text{-}15/32\text{''}$

MATERIAL: Steel

FINISH: Zinc