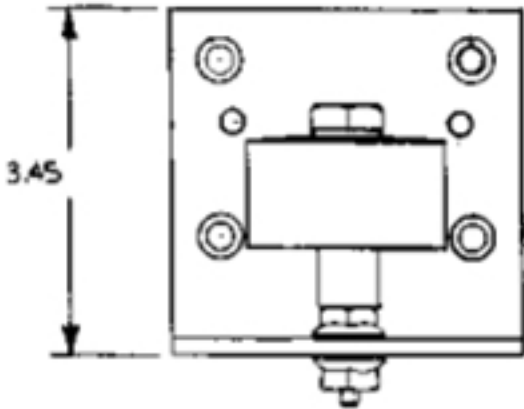
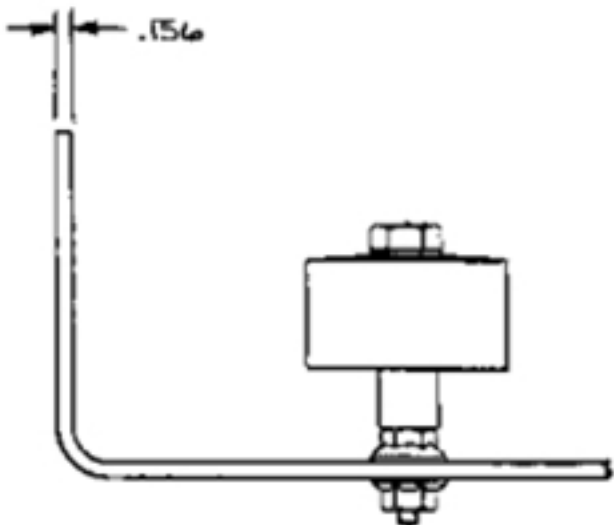
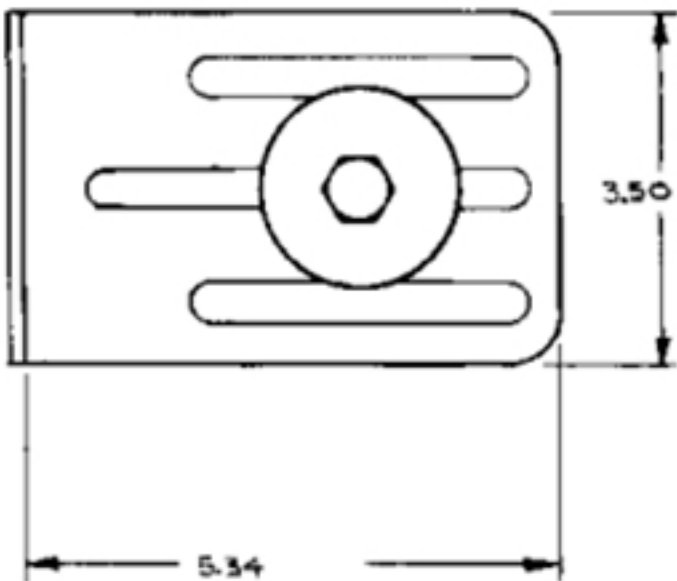


TECHNICAL DRAWING



Tower Industry
YOUR MANUFACTURING BASE IN CHINA

Sales@tower-machinery.com
www.tower-machinery.com

TW-K-92
Stay Roller w/Bracket

DIMENSIONS: 5.34" x 3.50" x 3.45"
MATERIAL: Steel
FINISH: Zinc