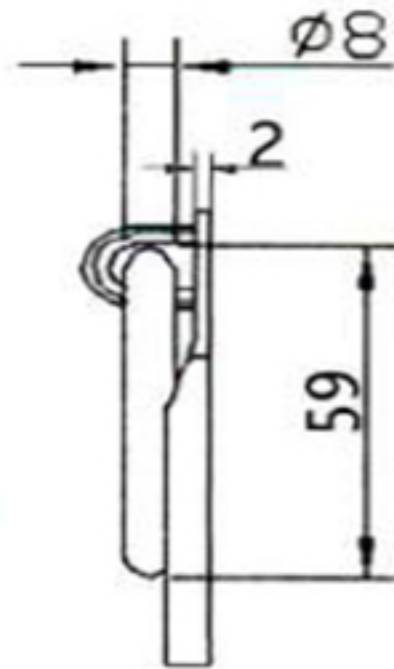
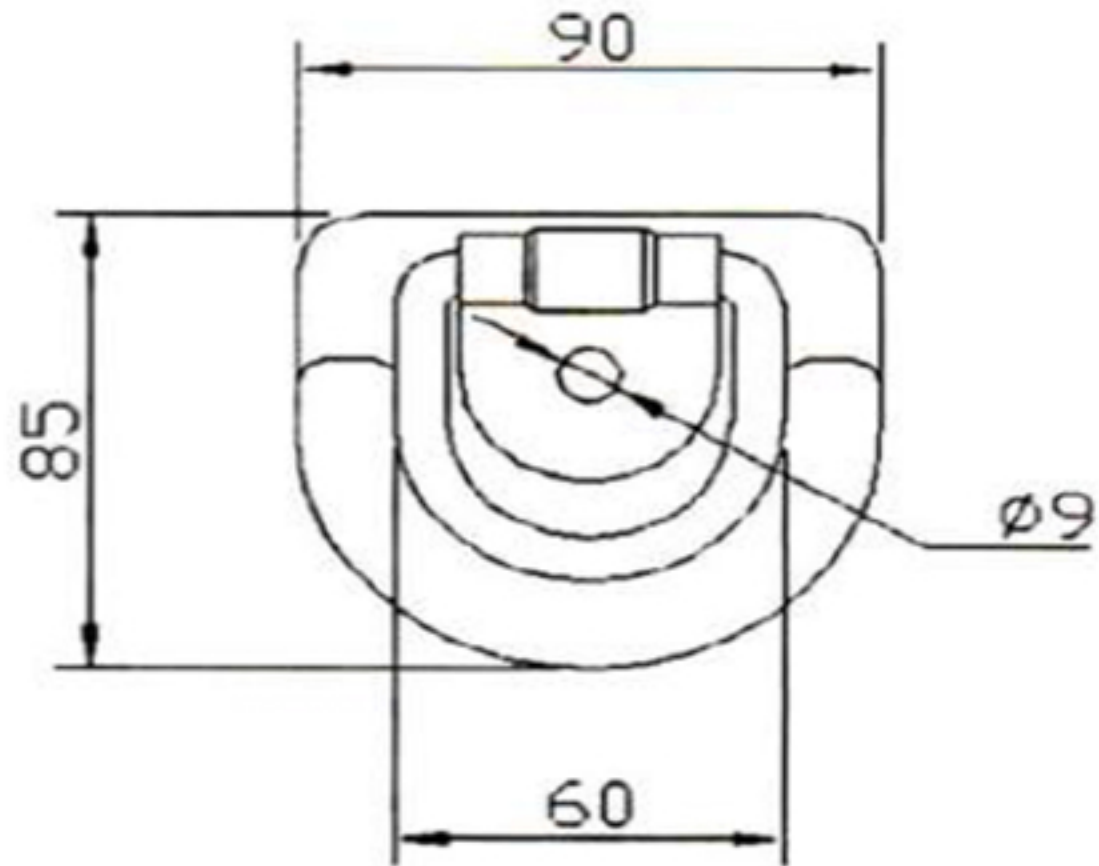


# TECHNICAL DRAWING



**Tower Industry**  
YOUR MANUFACTURING BASE IN CHINA

Sales@tower-machinery.com  
www.tower-machinery.com

TW-DL605  
TW-DR605S

Tie Downs

Dimension: 90mm x 85mm

MATERIAL: Steel / stainless steel

FINISH: Zinc / polish