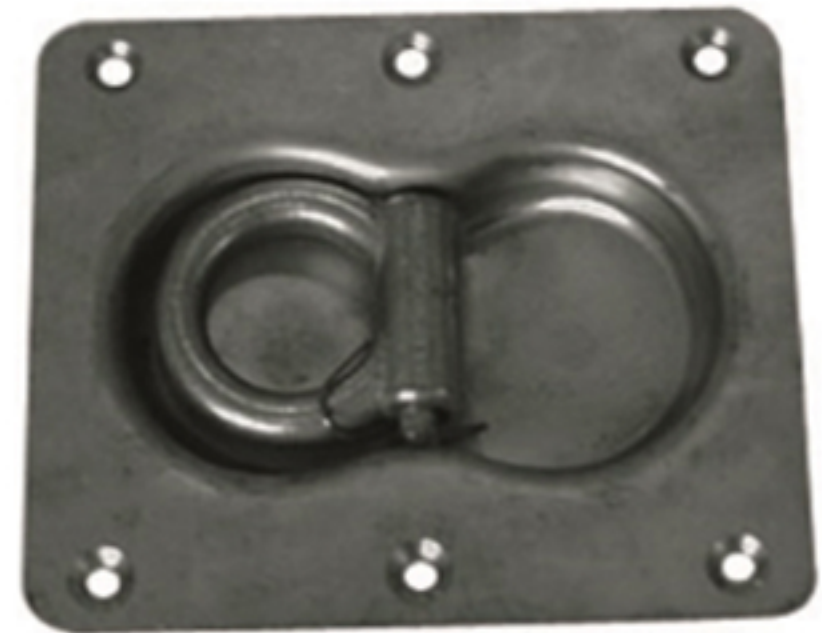
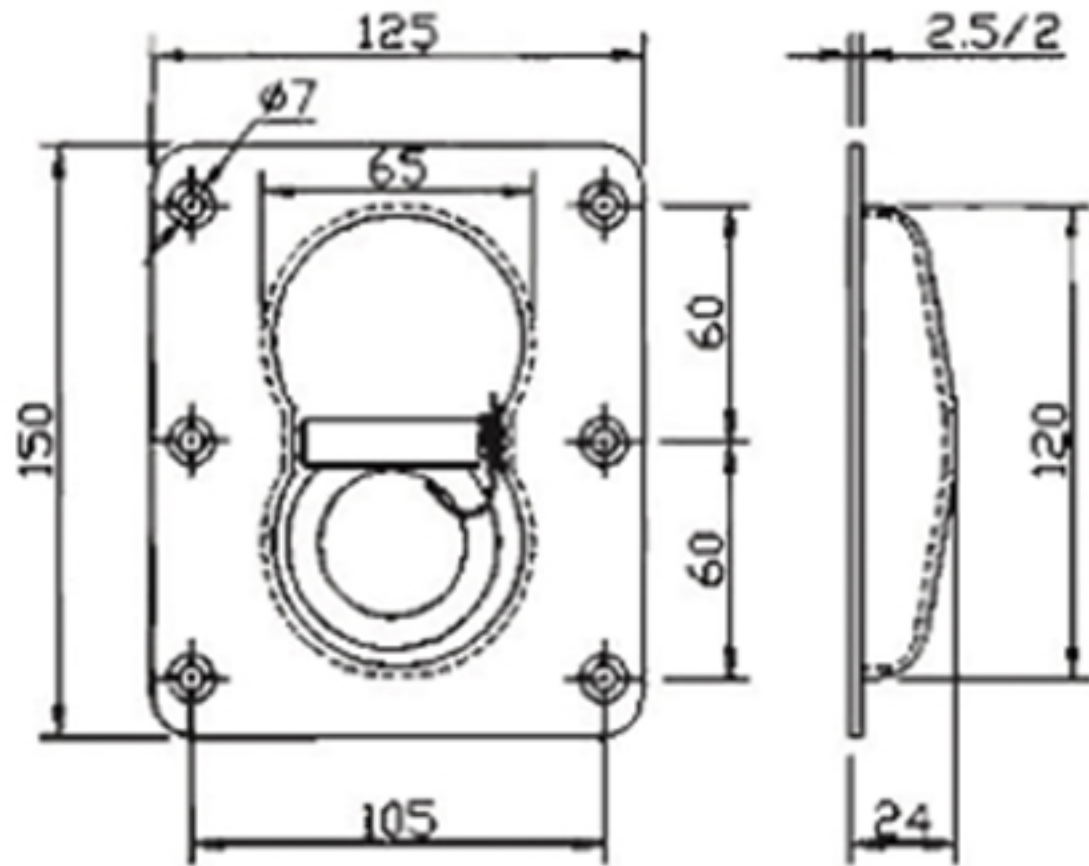


TECHNICAL DRAWING



Tower Industry
YOUR MANUFACTURING BASE IN CHINA

Sales@tower-machinery.com
www.tower-machinery.com

TW-DL603
TW-DR603S
Tie Downs

Dimension: 150mm x 105mm
MATERIAL: Steel / stainless steel
FINISH: Zinc / polish