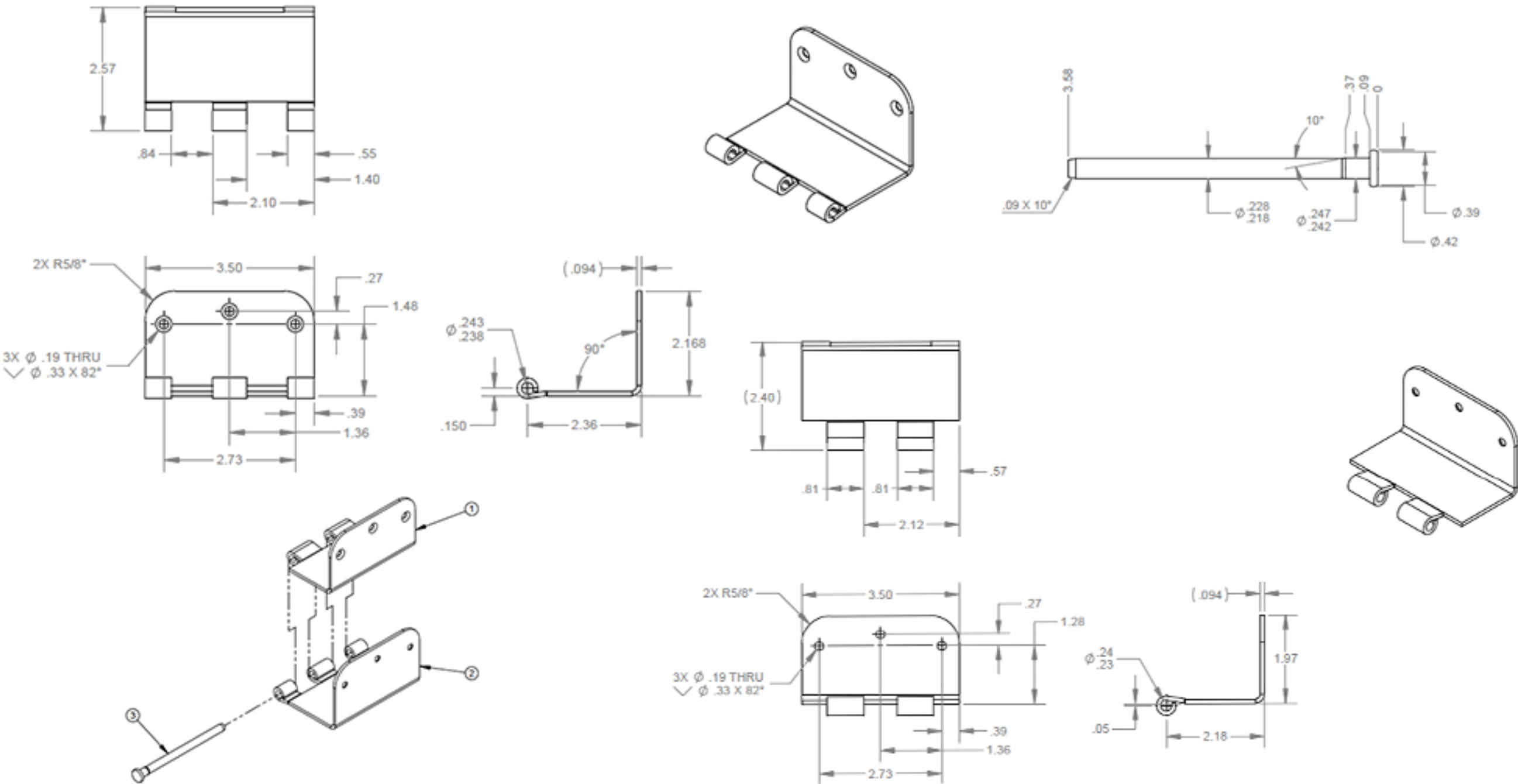


TECHNICAL DRAWING



Tower Industry
YOUR MANUFACTURING BASE IN CHINA

Sales@tower-machinery.com
www.tower-machinery.com

Offset Door Hinge

Model	Material	Finish
OD001Z	Steel	Zinc plated
OD002N	Steel	Nickel plated
OD003E	Steel	ED coating
OD004B	Steel	Bronze plated
OD005G	Steel	Golden plated