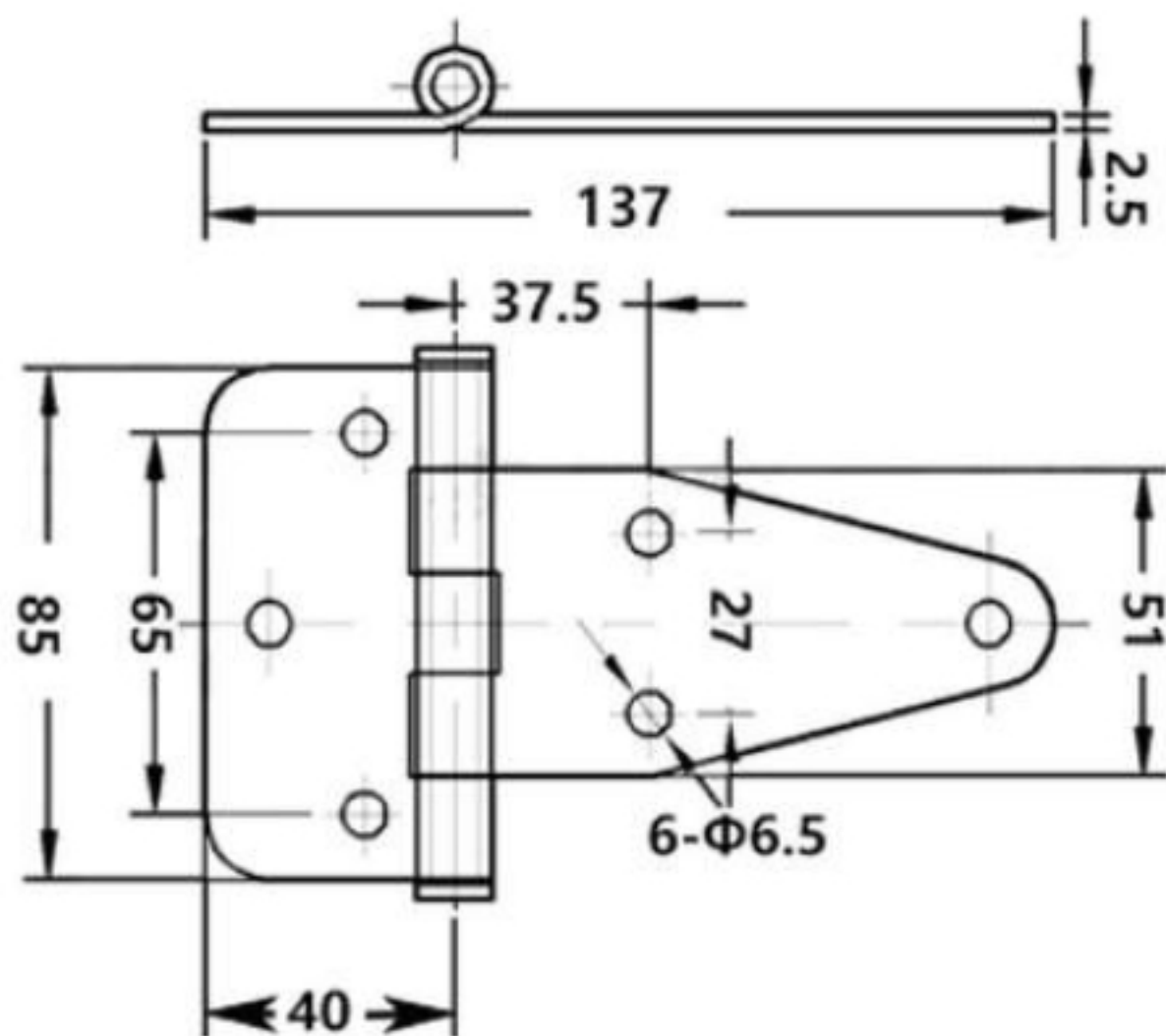


TECHNICAL DRAWING



Tower Industry
YOUR MANUFACTURING BASE IN CHINA

Sales@tower-machinery.com
www.tower-machinery.com

TW-SH221
TW-SH221S
Strap Hinge

DIMENSIONS: 137mm

MATERIAL: Steel / Stainless steel

FINISH: Zinc / polished