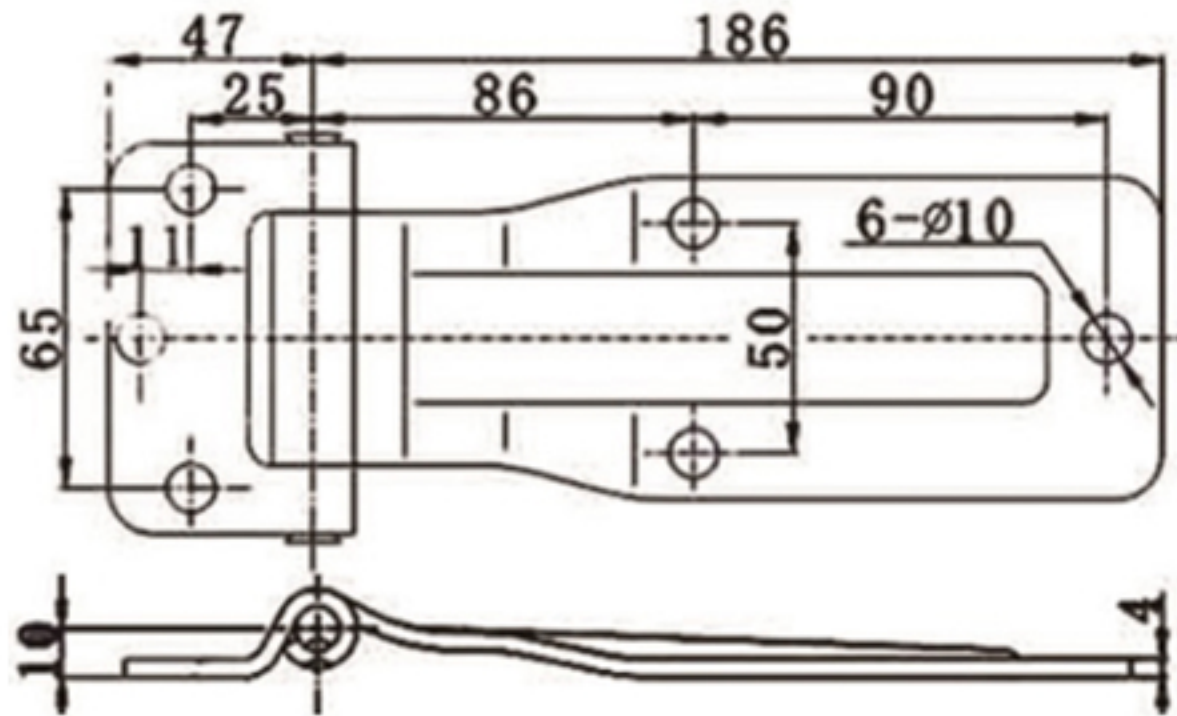


# TECHNICAL DRAWING



**Tower Industry**  
YOUR MANUFACTURING BASE IN CHINA

Sales@tower-machinery.com  
www.tower-machinery.com

TW-SH216  
TW-SH216S  
Strap Hinge

DIMENSIONS: 233mm

MATERIAL: Steel / Stainless steel

FINISH: Zinc / polished