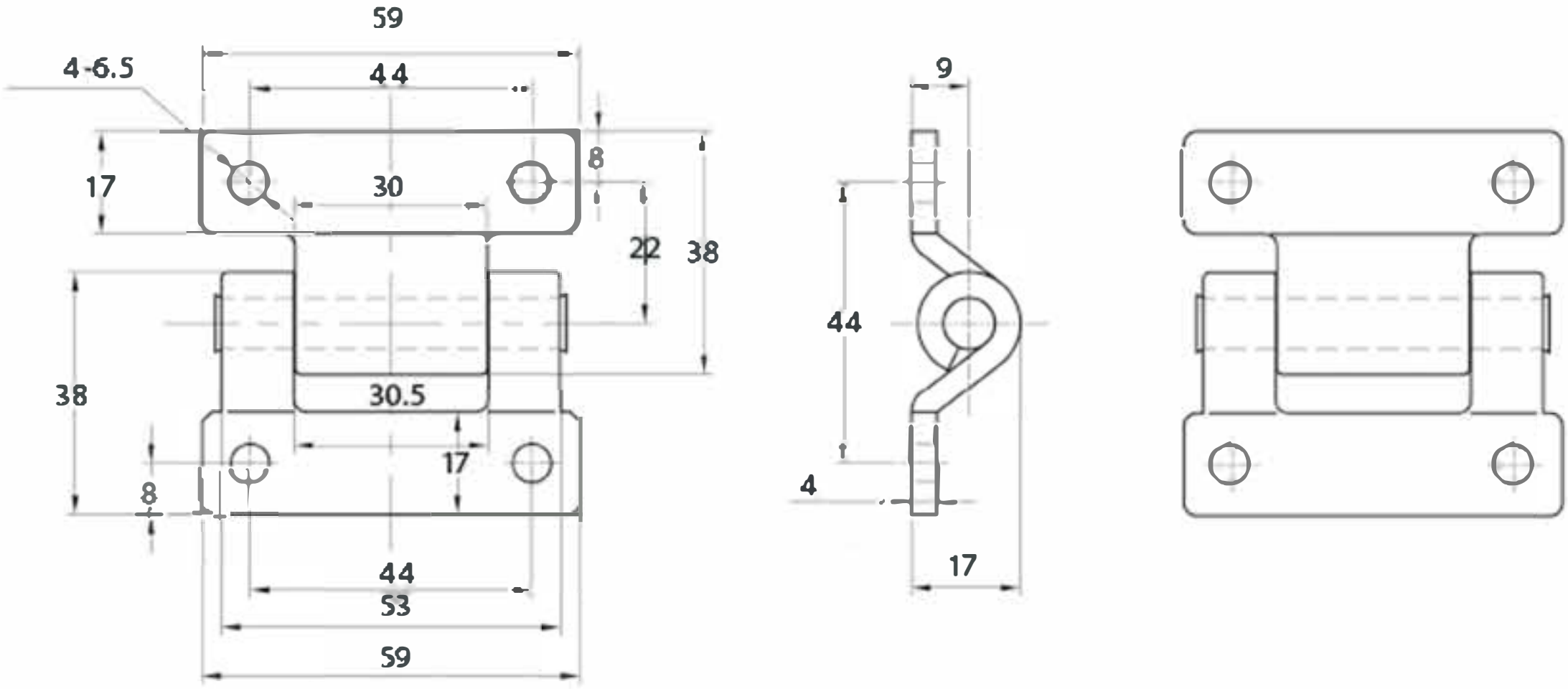


# TECHNICAL DRAWING



**Tower Industry**  
YOUR MANUFACTURING BASE IN CHINA

Sales@tower-machinery.com  
www.tower-machinery.com

TW-SH210  
TW-SH210S  
Strap Hinge

DIMENSIONS: 60mm x 59mm  
MATERIAL: Steel / Stainless steel  
FINISH: Zinc / polish