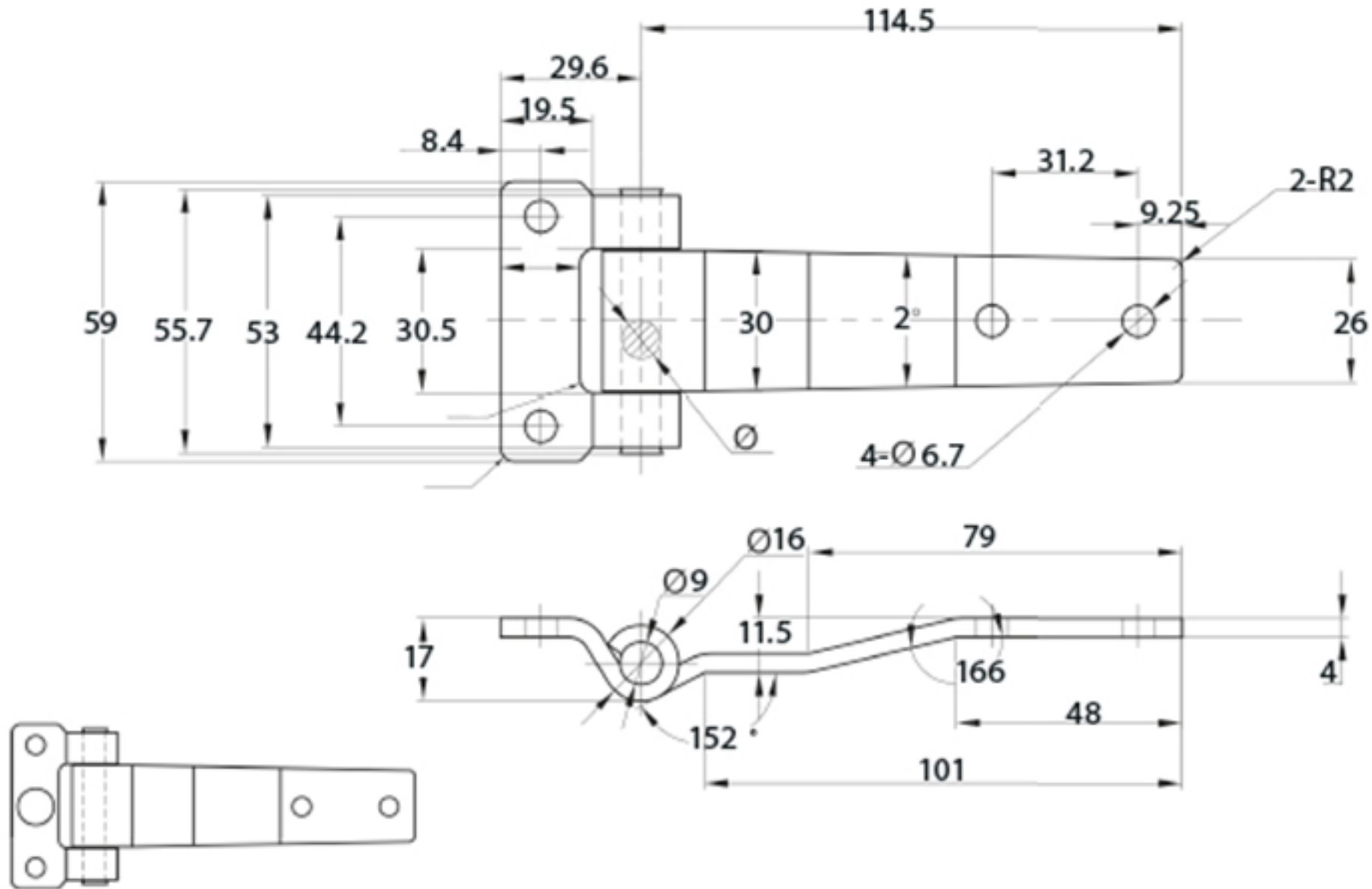


TECHNICAL DRAWING



Tower Industry
YOUR MANUFACTURING BASE IN CHINA

Sales@tower-machinery.com
www.tower-machinery.com

TW-SH207
TW-SH207S

Strap Hinge

DIMENSIONS: 4.50"

MATERIAL: Steel / Stainless steel

FINISH: Zinc / polish