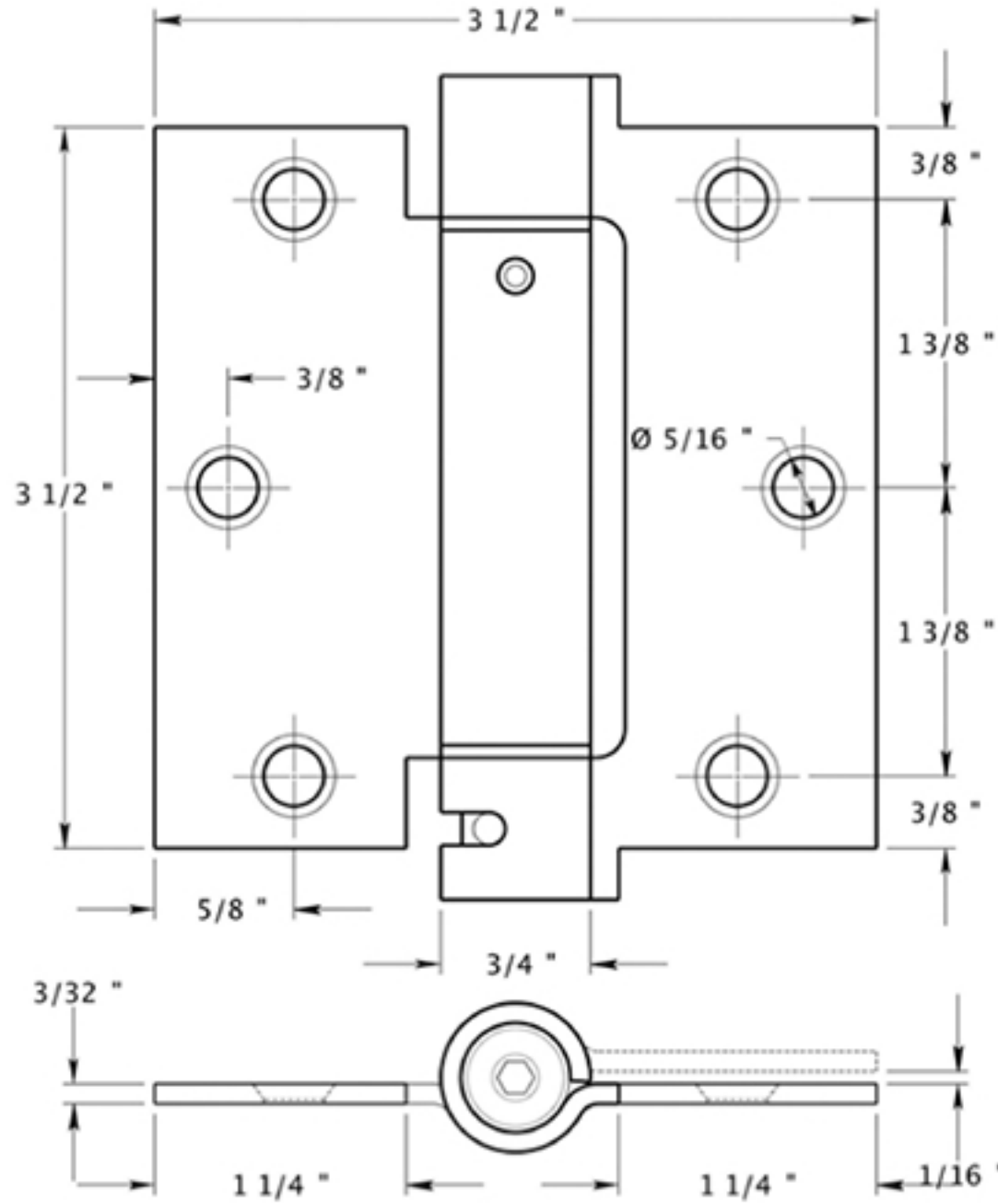


TECHNICAL DRAWING



Tower Industry
YOUR MANUFACTURING BASE IN CHINA

Sales@tower-machinery.com
www.tower-machinery.com

TW-SH4311
Spring Hinge

DIMENSIONS: 3.5" x 3.5"

MATERIAL: Steel

FINISH: Power coated