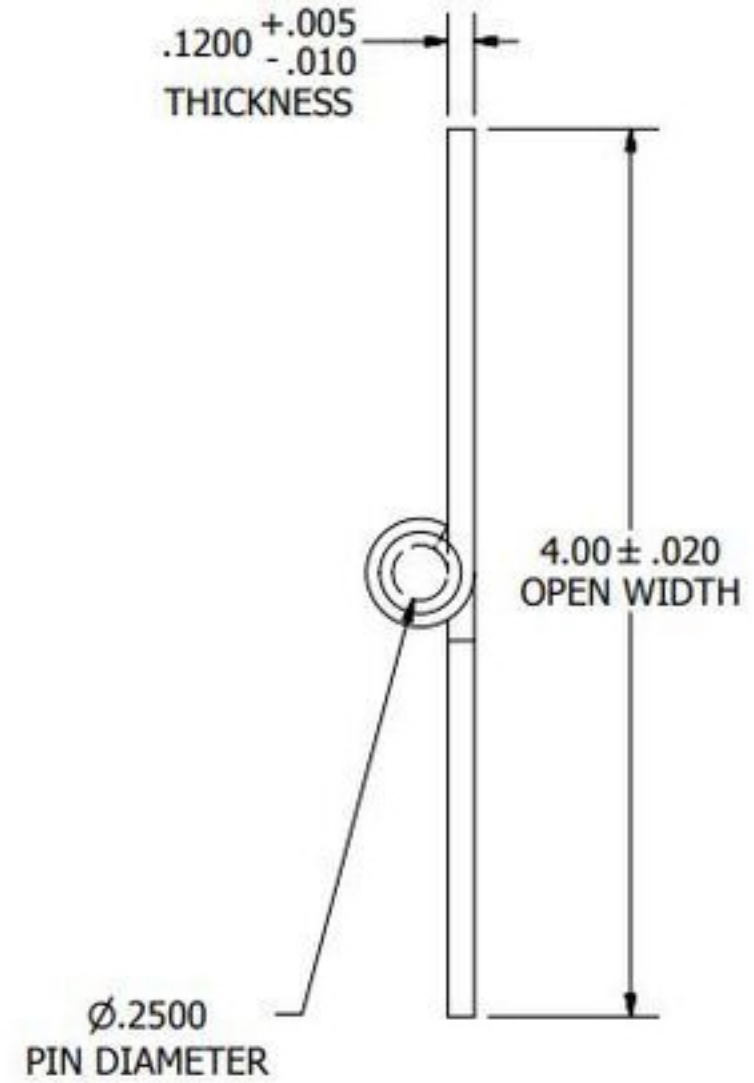
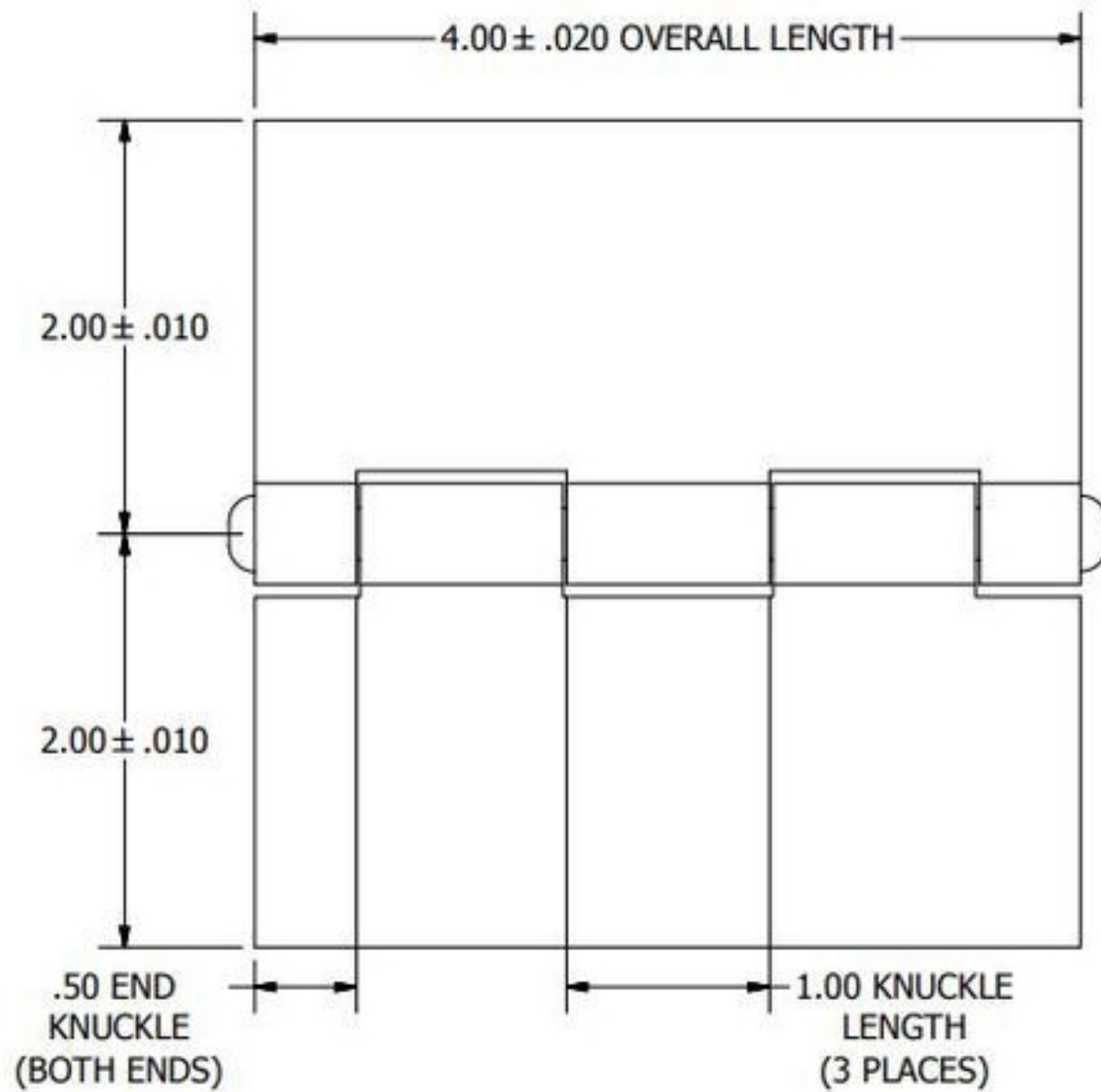


# TECHNICAL DRAWING



**Tower Industry**  
YOUR MANUFACTURING BASE IN CHINA

Sales@tower-machinery.com  
www.tower-machinery.com

TW-BH4040-AL

Butt Hinge

DIMENSIONS: 4" x 4"

MATERIAL: Aluminum

FINISH: No