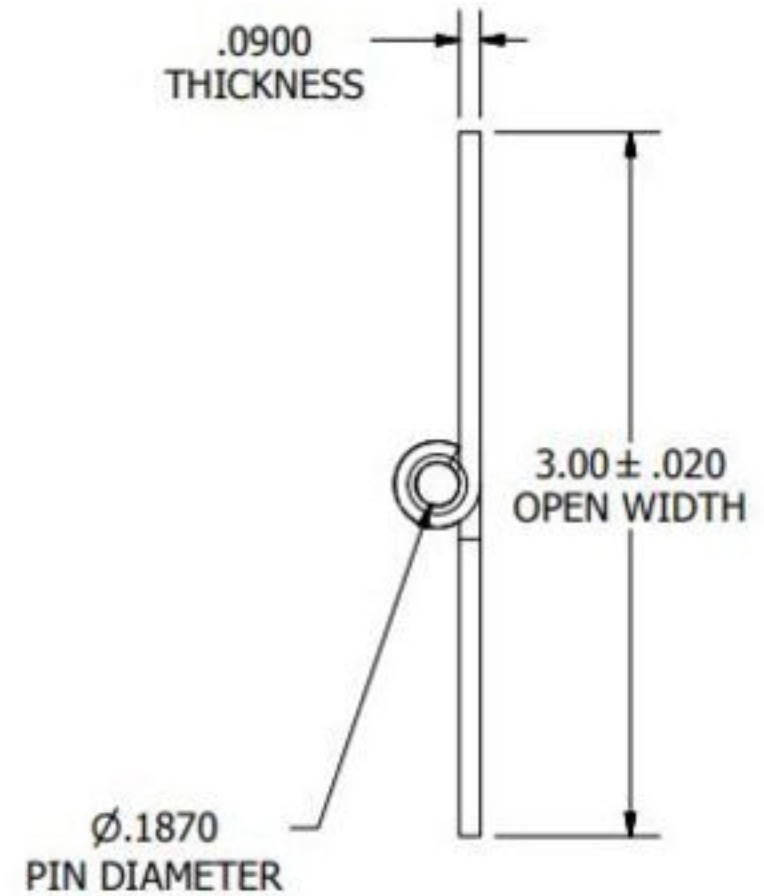
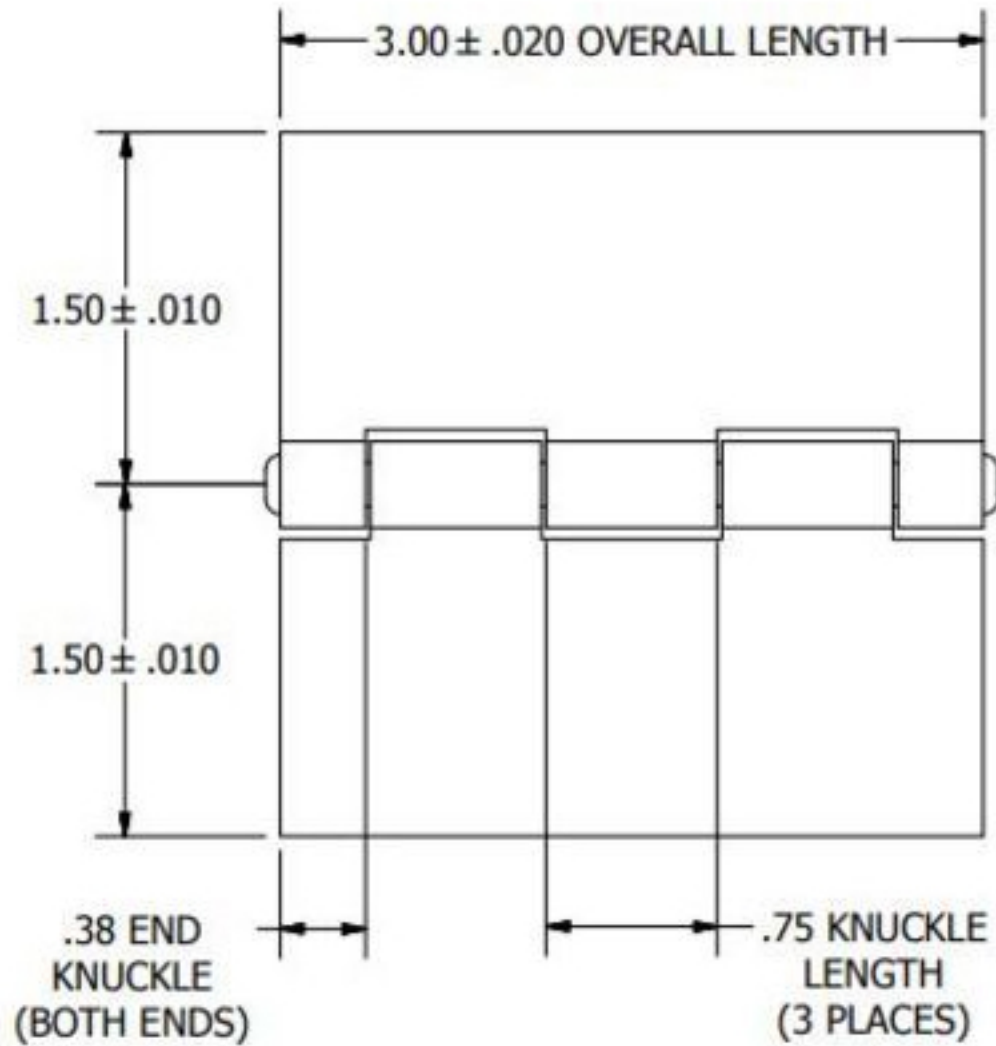


TECHNICAL DRAWING



Tower Industry
YOUR MANUFACTURING BASE IN CHINA

Sales@tower-machinery.com
www.tower-machinery.com

TW-BH3030

Butt Hinge

DIMENSIONS: 3" x 3"

MATERIAL: Steel

FINISH: No