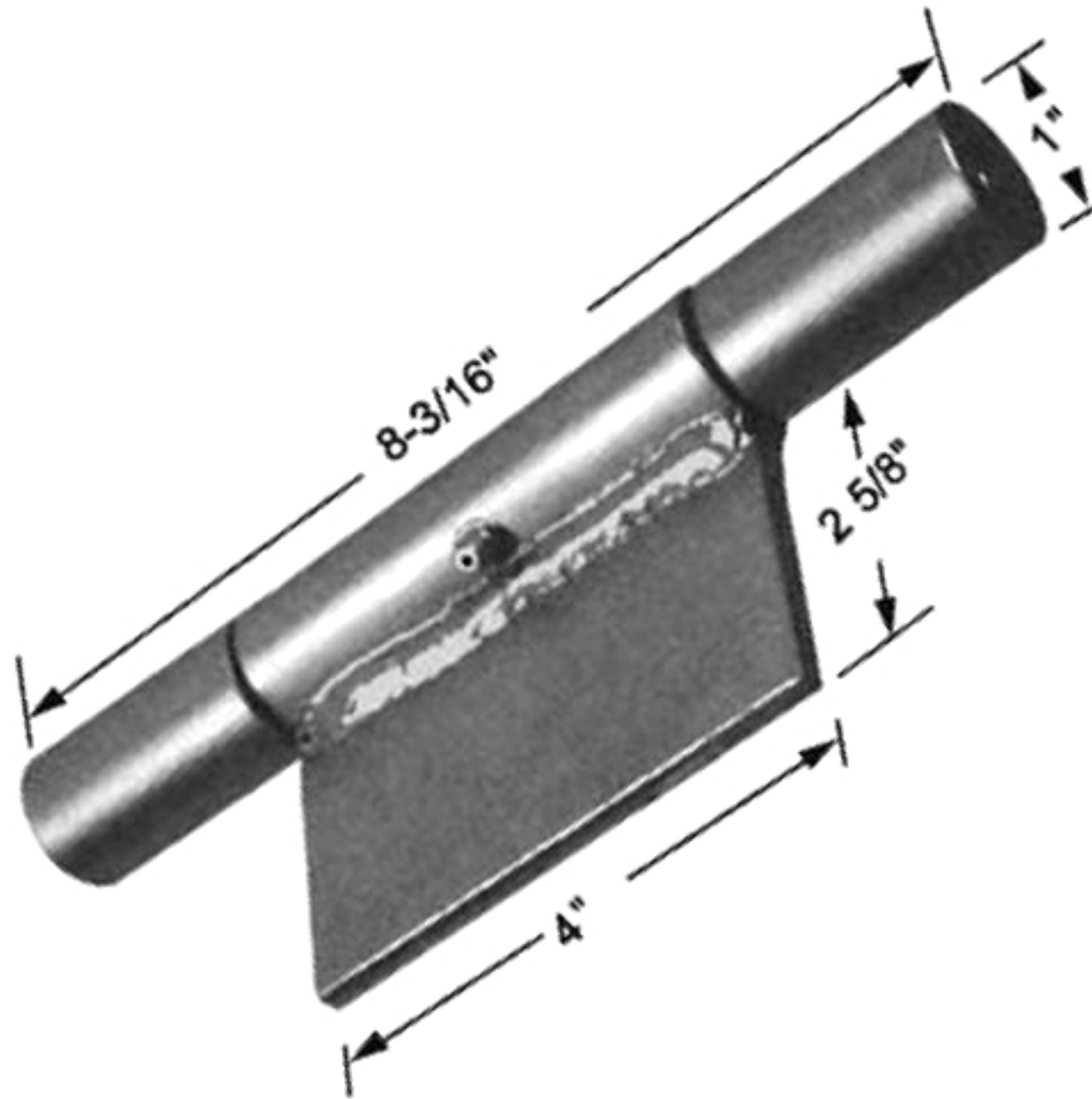


TECHNICAL DRAWING



Tower Industry
YOUR MANUFACTURING BASE IN CHINA

Sales@tower-machinery.com
www.tower-machinery.com

TW-WRDH210
Weld on Ramp Hinge

DIMENSIONS: 8-3/16"

MATERIAL: Steel

FINISH: No