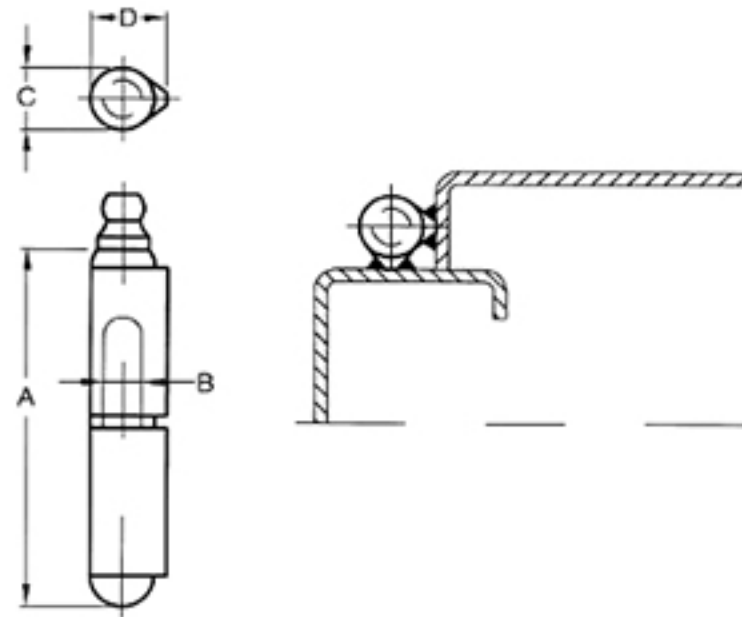


TECHNICAL DRAWING



Model	Material	mm	A	in.	mm	B	in.	mm	C	in.	mm	D	in.
SSP60-G	Stainless Steel Pin with SS Washer	60	2.362	6	0.236	10	0.394	11.9	0.467				
SSP70-G	Stainless Steel Pin with SS Washer	70	2.755	6	0.236	11.5	0.452	13.2	0.52				
SSP80-G	Stainless Steel Pin with SS Washer	80	3.149	8	0.314	13	0.511	15.5	0.61				
SSP100-G	Stainless Steel Pin with SS Washer	100	3.937	10	0.394	16	0.629	19.6	0.772				
SSP120-G	Stainless Steel Pin with SS Washer	120	4.724	10	0.394	16	0.629	19.6	0.722				
SSP135-G	Stainless Steel Pin with SS Washer	135	5.315	13	0.511	18	0.709	22	0.866				
SSP150-G	Stainless Steel Pin with SS Washer	150	5.905	13	0.511	20	0.787	25.4	1.00				
SSP180-G	Stainless Steel Pin with SS Washer	180	7.086	13	0.511	20	0.787	25.4	1.00				
SSP200-G	Stainless Steel Pin with SS Washer	200	7.874	16	0.629	23	0.905	28.5	1.122				

Tower Industry
YOUR MANUFACTURING BASE IN CHINA

Sales@tower-machinery.com
www.tower-machinery.com

Stainless Steel Weld on Hinge
with Stainless Steel Pin
and Grease Fitting

DIMENSIONS: 60~200mm

MATERIAL: Stainless Steel

FINISH: No