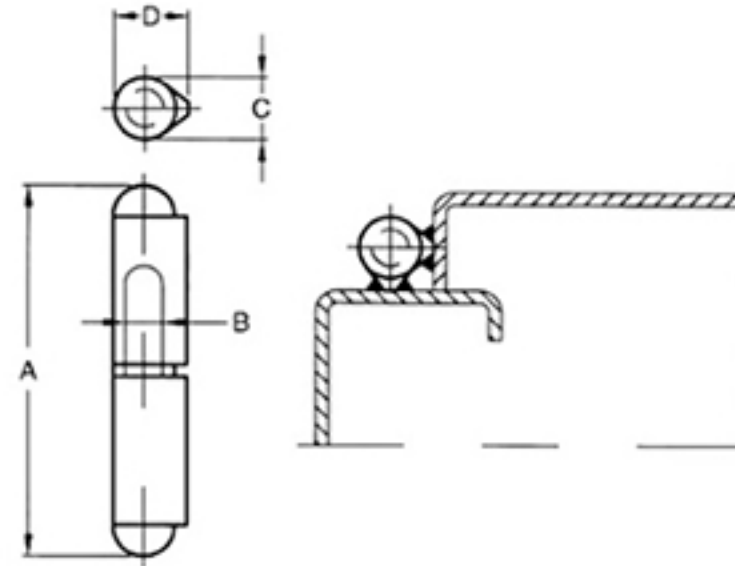


TECHNICAL DRAWING



Model	Material	mm A		mm B		mm C		mm D	
		in.	in.	in.	in.	in.	in.		
SSP40	Stainless Steel Pin with SS Washer	40	1.574	5	0.196	8	0.314	10	0.394
SSP50	Stainless Steel Pin with SS Washer	50	1.968	5	0.196	8	0.314	10	0.394
SSP60	Stainless Steel Pin with SS Washer	60	2.362	6	0.236	10	0.394	11.9	0.467
SSP70	Stainless Steel Pin with SS Washer	70	2.755	6	0.236	11.5	0.452	13.2	0.52
SSP80	Stainless Steel Pin with SS Washer	80	3.149	8	0.314	13	0.511	15.5	0.61
SSP100	Stainless Steel Pin with SS Washer	100	3.937	10	0.394	16	0.629	19.6	0.772
SSP120	Stainless Steel Pin with SS Washer	120	4.724	10	0.394	16	0.629	19.6	0.722
SSP135	Stainless Steel Pin with SS Washer	135	5.315	13	0.511	18	0.709	22	0.866
SSP150	Stainless Steel Pin with SS Washer	150	5.905	13	0.511	20	0.787	25.4	1.00
SSP180	Stainless Steel Pin with SS Washer	180	7.086	13	0.511	20	0.787	25.4	1.00
SSP200	Stainless Steel Pin with SS Washer	200	7.874	16	0.629	23	0.905	28.5	1.122

Tower Industry
YOUR MANUFACTURING BASE IN CHINA

Sales@tower-machinery.com
www.tower-machinery.com

Stainless Steel Weld on Hinge
with Stainless Steel Pin

DIMENSIONS: 40~200mm

MATERIAL: Stainless Steel

FINISH: No